



**GREENLEAF**  
**INCORPORATED**

**THE FLUID FLOW EXPERTS**

**Manufacturer of Liquid Handling Products**

**HOSE FITTINGS . . . . . 1-5**

- Straight Adapter (Male NPT x barb)
- 90° Elbow (Male NPT x barb)
- 90° Elbow (Female NPT x barb)
- Hose Mender (barbed)
- Tee Adapter (Male NPT x barb)
- Elbow (barbed)
- Insert Tee (three barbed)
- Straight Adapter (Female NPT x barb)
- Cross (barbed)
- Flat Seat Hose Barb

**PIPE FITTINGS . . . . . 6-8**

- Reducer Bushing (Male NPT x Female NPT)
- Elbow (Female NPT)
- Coupling (Female NPT)
- Plug (Male NPT with hex)
- Nipple (Male NPT)
- Nipple (reducing)
- Tee (Female NPT)
- Tee (Female NPT with gauge port)
- Street Elbow (Male NPT x Female NPT)

**GARDEN HOSE FITTINGS . . . . . 9-12**

- Adapter (Male GHT x Female NPT) -- Adapter (Male NPT x Female GHT)
- Adapter (Male NPT x Male GHT) -- Adapter (Male GHT x Female GHT)
- Coupling (Female GHT x Female NPT)
- Swivel Cap (Female GHT & Female NPS)
- Plug (Male GHT with hex)
- Tee Adapter (Male NPT x barb)
- Adapter (Male GHT x barb)
- Elbow (Male GHT x barb)
- Nipple (reducing)
- Swivel Nut (Female GHT)
- Washers (for garden hose)
- Three Piece Barb Assembly
- Garden Hose Shutoff Valves
- Garden Hose Cams (AG, BG, DG, FG)

**HEAVY DUTY FITTINGS . . . . . 13-14**

- Heavy Duty: Nipples, Reducing Nipples, Caps, Plugs, Hose Menders, Street Elbows, Elbows & Couplings
- Combination Hose Nipples (Polypropylene & Steel)
- Pin Lug Couplers

**STRING WING (5ft. assembly) . . . . . 15**

**ATV STRING WING . . . . . 15**

**ROPE WICK . . . . . 16**

- Weed Thief (hand held wick)
- Cone Washer
- Adapter (through hole)
- Standard Fitting Assembly
- Replacement Wick Kits

**EXPLANATION OF ABBREVIATIONS**

- P - Polypropylene
- HB - Hose Barb
- Male NPT - Male Pipe Tapered Thread
- Female NPT - Female Pipe Tapered Thread
- Male NPS - Male Pipe Straight Thread
- Female NPS - Female Pipe Straight Thread
- Male GHT - Male Garden Hose Thread 3/4"
- Female GHT - Female Garden Hose Thread 3/4"
- SPT - Standard Pipe Thread
- UN - Unified National (used on nozzle fittings)

**Gator Lock® . . . . . 17-22**

**CAM LEVER COUPLINGS**

- Locking— Series A Series C Series E Series PL
- Series B Series D Series F Series CAP
- 45° F and 90° Series (AL, CL, DL, FL)
- Green Arm Couplings

**TRUE UNION BALL VALVES . . . . . 24**

**4 BOLT VALVES . . . . . 25**

**6 BOLT & 8 BOLT VALVES . . . . . 26**

**2" 4 BOLT FULL PORT VALVES . . . . . 27**

**SINGLE UNION VALVES . . . . . 28**

**HM QUICK SHUT OFF VALVE . . . . . 28**

**DRY DISCONNECTS . . . . . 29**

**MISC PRODUCTS . . . . . 30-32**

- Bulkhead Fittings
- Tank Flanges
- Line Strainers
- Basket Strainers (Polypropylene & Steel)

**SPRAY COMPONENTS . . . . . 33-41**

**NOZZLE FITTINGS . . . . . 34-35**

- Spray Tip Blank
- Male Adapter
- Boom Clamp
- Female Adapter
- Swivel Nut (for spray tips)
- Winged Swivel Nut (for spray tips)
- Metering Barb
- Hex Nut
- Straight Adapter
- Elbow
- Cross
- Tee

**NOZZLE BODIES . . . . . 36-37**

**WINGED BAYONET CAPS . . . . . 38**

**NOZZLES FILTERS . . . . . 38**

**PRESSURE GAUGES . . . . . 39**

**STEEL BOOM CLAMPS . . . . . 39**

**SOLENOID VALVES . . . . . 40**

**WIRING HARNESSES . . . . . 40**

**SPRAY GUNS . . . . . 41**

**LECHLER SPRAY TIP . . . . . 42-50**

- Spray Nozzles: LU, ES, IDK, ID, ST, AD, FT, IS, IDKT, FD, TWIN CAP, TR, DF, OC

**PACKAGING/MERCHANDISING . . . . . 51-52**

**PRESSURE & TEMP. RATING . . . . . 53**

**CHEMICAL RESISTANCE CHARTS . . . . . 54-58**

**WEBSITE INFO . . . . . 59**

**ORDER FORM . . . . . 60**

When ordering fittings, always order by part number. In applicable cases part numbers represent thread size first and barb second.  
 Example: Part # A3412 fitting would have a 3/4" Male NPT & a 1/2" hose barb.

Teflon® is a registered trademark of the DuPont Company.  
 Viton® is a registered trademark of DuPont Dow Elastomers.



*Quality, Service & Commitment...  
Is Never Compromised.*

**Mission:** To work hard, be passionate & enjoy providing superior products while meeting or exceeding our customers' needs & expectations. With effective communication & exceptional service we will build a relationship with our suppliers & customers based on trust and loyalty.

**Pledge:** It is our promise to adhere to the below principles recognizing our responsibility to our Customer, our People and our Business.

**Customer** - Green Leaf pledges to bring our expertise in product engineering, manufacturing, distribution and customer service to our diverse line of fluid flow parts and to deliver superior products, accurately and on time while maintaining a fair price.

**Employee** - Green Leaf pledges to maintain a safe and inviting environment for all employees while providing fair wages and the opportunity to excel and grow. We value honesty, integrity and mutual respect; each person will be considered an individual; we will succeed as a team.

**Business** - Green Leaf pledges to make a sound profit. We must create reserves, carry on research, develop programs and pay for mistakes. Equipment and machines will need purchased, facilities built and new products launched. By achieving these things we will continue to increase sales and profits.

### PRICING

All prices are subject to change without notice. Orders will be invoiced at current prices on the date shipment is made. All prices are F.O.B. Green Leaf®, Inc.

### TERMS

An invoice is a contract in which Green Leaf®, Inc. terms will prevail. Unless otherwise stated, payment terms are 2% 10 days net 30 days, (D.O.I.). Green Leaf® Inc. reserves the right to place a customer on credit hold if deemed necessary. Up to a 5% service charge will be added per month on all past due accounts.

### ORDERING

Please order by Green Leaf's® part number.

US Orders: A \$10.00 handling charge will be added to all orders under \$50.00.

International Orders: A \$25.00 processing fee will be added to all orders under \$200.00.

### NEW ACCOUNTS

Green Leaf®, Inc. welcomes all new accounts. Green Leaf® will provide a credit application for new customers to sign agreeing to our terms. When opening an account the customer agrees to pay invoices in 30 days, pay up to a 5% service charge monthly on any invoices 31 days or older, and to pay any and all collection agencies, attorney fees and/or court fees necessary to collect on the account.

### SHIPPING

Please notify us with your shipping instructions. Freight, air, parcel post or UPS. If no instruction is given, we will send best way. Freight shipments should be specified, via truck or rail, with line preference. A handling/service charge of \$2.00 will be added to all invoices.

### SAME DAY SHIPMENTS

Same day shipments will incur a service charge of \$10.00 or 5%, whichever is greater.

### WEIGHT VARIANCE

To control the cost of processing your orders, Green Leaf® uses electronic counting scales. It is our policy to have each scale certified for accuracy on a schedule recommended by the scale manufacturer. Electronic scales have an accuracy range that is acceptable by most of our customers. If your policy does not allow for a small overage/underage, please contact our marketing department and advise them that you require 100% accuracy of all quantities. Your account will be marked as hand count only. There is a charge of plus 5% of order value for all orders processed in this manner.

### RETURNED GOODS POLICY

Returns must be received within 30 days from shipment and must be approved by Green Leaf®, Inc. A document with our return authorization number (RGA Number) and ship to address will be faxed or mailed to the customer. Any goods returned that do not have this document clearly attached to the outside of the carton will be refused. All returns must be freight prepaid. A 20% minimum restocking fee will be assessed to all returns. Returns will only be accepted if the products are in new and original condition, and contain no markings or labels other than Green Leaf®.

### SHORTAGES

Claims must be made within 30 days after receipt of shipment; otherwise order will be considered shipped as ordered.

### LOSS OR DAMAGE

In order to expedite your shipment to its destination in good condition, all orders are packed and shipped with care. Green Leaf®, Inc. assumes no responsibility for items lost or damaged in transit. Claims will be made with carriers immediately. The purchaser is responsible for claims on freight collect shipments.

### GUARANTEE

Green Leaf®, Inc. warrants all merchandise to be as represented in our catalog. We will replace or make satisfactory adjustment if found otherwise.

### USE OF PRODUCTS

Products manufactured by Green Leaf® and illustrated within this catalog are produced using resins that are prime and certifiable in grade. The chemical resistance & physical properties of these resins are available from Green Leaf's® engineering department. Improper use of these products could result in environmental spills, serious injury or death.

### MATERIALS

As stated, Green Leaf, Inc.'s stock fittings are always manufactured using quality prime resins; however, in order to insure that we continue to provide the best value to our customers, we reserve the right to change specific grades and/or manufacturers of resin without notice. Please keep this in mind when specifying our stock fittings for use in your applications. Due to the infinite end use possibilities of our products, the customer is responsible for determining the suitability of our products for their application. Data sheets indicating the manufacturer, grade, and properties of current production materials are available and may be requested at anytime. Should your application require a specific material, please contact our sales department for a custom quotation.



Green Leaf's Green Initiative is focused on reducing our carbon footprint by taking into consideration our position in social, cultural and economic environments.

### New Sustainability Programs:

Over the course of three years, Green Leaf has implemented new internal and external programs. With the formation of various teams, Green Leaf and it's employees are going beyond the day-to-day operations of a successful business and bettering our workplace, our community and our team members. Look for the "Green Initiative" logo throughout this catalog to learn more



# *Fittings*

## ***Selection***

Hose, pipe, garden hose, nozzle and heavy duty fittings are available in sizes ranging from 1/8" to 3".

## ***Durability***

Green Leaf's hose & pipe fittings are utilized for a variety of agricultural, plumbing and industrial liquid-handling solutions.

## ***Polypropylene***

Our resin is a high strength custom blended glass filled polypropylene.

## ***Nylon***

Green Leaf's hose & pipe fittings are certified by NSF International NSF/ANSI Standard 61 – Drinking Water System Components, Health Effects and NSF/ANSI Standard 372 – Drinking Water System Components, Lead Content.

## ***Experience***

We have been manufacturing top quality fittings since 1983.





## Straight Adapter

Use in conjunction with a hose clamp and quality thread sealant.



PART #				THREAD	HOSE BARB
NYLON	PRICE ea.	POLY	PRICE ea.	Male NPT x	HOSE BARB
A18316	\$0.91			1/8"	3/16"
A1814	\$0.68	A1814P	\$1.00	1/8"	1/4"
A18516	\$0.94			1/8"	5/16"
A1838	\$0.69	A1838P	\$1.00	1/8"	3/8"
A1812	\$0.76	A1812P	\$1.01	1/8"	1/2"
A1414	\$0.69	A1414P	\$0.97	1/4"	1/4"
A14516	\$1.11			1/4"	5/16"
A1438	\$0.70	A1438P	\$0.99	1/4"	3/8"
A1412	\$0.74	A1412P	\$1.01	1/4"	1/2"
A1458	\$1.33	A1458P	\$1.88	1/4"	5/8"
A1434	\$1.36	A1434P	\$1.93	1/4"	3/4"
A3814	\$0.72	A3814P	\$1.01	3/8"	1/4"
A38516	\$1.32			3/8"	5/16"
A3838	\$0.73	A3838P	\$1.01	3/8"	3/8"
A3812	\$0.74	A3812P	\$1.01	3/8"	1/2"
A3858	\$0.74	A3858P	\$1.01	3/8"	5/8"
A3834	\$0.91	A3834P	\$1.11	3/8"	3/4"
A1214	\$0.78	A1214P	\$1.04	1/2"	1/4"
A1238	\$0.79	A1238P	\$1.06	1/2"	3/8"
A1212	\$0.81	A1212P	\$1.03	1/2"	1/2"
A1258	\$0.87	A1258P	\$1.07	1/2"	5/8"
A1234	\$1.02	A1234P	\$1.11	1/2"	3/4"
A1210	\$1.34	A1210P	\$1.47	1/2"	1"
A12114	\$7.13	A12114P	\$7.94	1/2"	1-1/4"
A3414	\$1.26	A3414P	\$1.28	3/4"	1/4"
A3438	\$0.91	A3438P	\$1.10	3/4"	3/8"
A3412	\$0.93	A3412P	\$1.11	3/4"	1/2"
A3458	\$1.50	A3458P	\$1.53	3/4"	5/8"
A3434	\$1.02	A3434P	\$1.07	3/4"	3/4"
A3410	\$1.26	A3410P	\$1.29	3/4"	1"
A34114	\$2.46	A34114P	\$2.76	3/4"	1-1/4"
A1038	\$1.30	A1038P	\$1.31	1"	3/8"
A1012	\$1.26	A1012P	\$1.28	1"	1/2"
A1058	\$1.28	A1058P	\$1.30	1"	5/8"
A1034	\$1.30	A1034P	\$1.31	1"	3/4"
A1010	\$1.46	A1010P	\$1.42	1"	1"
A1114	\$2.96	A1114P	\$3.24	1"	1-1/4"
A11434	\$4.24	A11434P	\$3.83	1-1/4"	3/4"
A1141	\$3.18	A1141P	\$3.41	1-1/4"	1"
A114	\$2.97	A114P	\$3.29	1-1/4"	1-1/4"
A114112	\$3.28	A114112P	\$3.48	1-1/4"	1-1/2"
A1121	\$3.52	A1121P	\$3.73	1-1/2"	1"
A112	\$3.30	A112P	\$3.56	1-1/2"	1-1/2"
A112114	\$3.47	A112114P	\$3.63	1-1/2"	1-1/4"
A112200	\$10.28	A112200P	\$11.25	1-1/2"	2"
A200112	\$8.72	A200112P	\$9.25	2"	1-1/2"
A200	\$4.45	A200P	\$4.50	2"	2"

## 90 Degree Elbow

Use in conjunction with a hose clamp and quality thread sealant.

PART #				THREAD	HOSE BARB
NYLON	PRICE ea.	POLY	PRICE ea.	Male NPT x	HOSE BARB
EL18316	\$1.87			1/8"	3/16"
EL1814	\$0.91	EL1814P	\$0.99	1/8"	1/4"
EL1838	\$2.03			1/8"	3/8"
EL1414	\$0.87	EL1414P	\$0.97	1/4"	1/4"
EL14516	\$1.93			1/4"	5/16"
EL1438	\$0.89	EL1438P	\$1.01	1/4"	3/8"
EL1412	\$1.00	EL1412P	\$1.04	1/4"	1/2"
EL1458	\$1.26	EL1458P	\$1.28	1/4"	5/8"
EL3814	\$1.06	EL3814P	\$1.07	3/8"	1/4"
EL38516	\$2.11			3/8"	5/16"
EL3838	\$1.11	EL3838P	\$1.13	3/8"	3/8"
EL3812	\$1.11	EL3812P	\$1.13	3/8"	1/2"
EL3858	\$1.17	EL3858P	\$1.19	3/8"	5/8"
EL1214	\$2.23	EL1214P	\$2.41	1/2"	1/4"
EL1238	\$1.17	EL1238P	\$1.19	1/2"	3/8"
EL1212	\$1.19	EL1212P	\$1.21	1/2"	1/2"
EL1258	\$1.46	EL1258P	\$1.48	1/2"	5/8"
EL1234	\$1.56	EL1234P	\$1.59	1/2"	3/4"
EL3414	\$2.50	EL3414P	\$2.47	3/4"	1/4"
EL3438	\$1.35	EL3438P	\$1.38	3/4"	3/8"
EL3412	\$1.41	EL3412P	\$1.43	3/4"	1/2"
EL3458	\$1.50	EL3458P	\$1.53	3/4"	5/8"
EL3434	\$1.61	EL3434P	\$1.64	3/4"	3/4"
EL3410	\$1.67	EL3410P	\$1.69	3/4"	1"
EL1038	\$1.58	EL1038P	\$1.60	1"	3/8"
EL1012	\$1.58	EL1012P	\$1.60	1"	1/2"
EL1058	\$1.69	EL1058P	\$1.72	1"	5/8"
EL1034	\$1.78	EL1034P	\$1.81	1"	3/4"
EL1010	\$1.95	EL1010P	\$1.98	1"	1"
EL1114	\$4.34	EL1114P	\$4.21	1"	1-1/4"
EL11434	\$8.25	EL11434P	\$7.30	1-1/4"	3/4"
EL1141	\$3.36	EL1141P	\$3.55	1-1/4"	1"
EL114	\$3.60	EL114P	\$3.72	1-1/4"	1-1/4"
EL114112	\$7.27	EL114112P	\$7.45	1-1/4"	1-1/2"
EL112	\$4.64	EL112P	\$4.69	1-1/2"	1-1/2"
EL200	\$6.12	EL200P	\$6.19	2"	2"



## 90 Degree Elbow

Use in conjunction with a hose clamp and quality thread sealant.

PART #				THREAD	HOSE BARB
NYLON	PRICE ea.	POLY	PRICE ea.	Female NPT x	HOSE BARB
EL1212F	\$1.82	EL1212FP	\$1.69	1/2"	1/2"
EL3412F	\$1.82	EL3412FP	\$1.98	3/4"	1/2"
EL3434F	\$2.21	EL3434FP	\$2.41	3/4"	3/4"





## Straight Hose Mender

Used in fluid plumbing applications requiring the connection of two hoses. Commonly called a hose splice fitting or a shim fitting.

PART #				BARB 1	BARB 2
NYLON	PRICE ea.	POLY	PRICE ea.	HOSE BARB x	HOSE BARB
SHM1800	\$0.75	SHM1800P	\$0.94	1/8"	1/8"
SHM3160	\$0.77	SHM3160P	\$0.96	3/16"	3/16"
SHM1418	\$1.01			1/4"	1/8"
SHM14316	\$1.01			1/4"	3/16"
SHM1400	\$0.66	SHM1400P	\$0.96	1/4"	1/4"
SHM5160	\$0.86	SHM5160P	\$0.96	5/16"	5/16"
SHM3800	\$0.74	SHM3800P	\$0.97	3/8"	3/8"
SHM3814	\$0.92	SHM3814P	\$1.41	3/8"	1/4"
SHM1214	\$1.07	SHM1214P	\$1.03	1/2"	1/4"
SHM1200	\$0.93	SHM1200P	\$1.00	1/2"	1/2"
SHM1238	\$0.76	SHM1238P	\$0.99	1/2"	3/8"
SHM1258	\$1.06	SHM1258P	\$1.07	1/2"	5/8"
SHM5800	\$1.06	SHM5800P	\$1.07	5/8"	5/8"
SHM3412	\$2.72			3/4"	1/2"
SHM3400	\$1.17	SHM3400P	\$1.19	3/4"	3/4"
SHM1000	\$1.39	SHM1000P	\$1.42	1"	1"
SHM114	\$2.27	SHM114P	\$2.80	1-1/4"	1-1/4"
SHM112	\$5.52	SHM112P	\$4.86	1-1/2"	1-1/2"
SHM200	\$9.27	SHM200P	\$9.98	2"	2"



## Tee Adapter

Used in fluid plumbing applications requiring a connection of two hoses to a Female NPT fitting and a hose.

PART #				THREAD	HOSE BARB
NYLON	PRICE ea.	POLY	PRICE ea.	Male NPT x	HOSE BARB
MT1234	\$1.97	MT1234P	\$2.64	1/2"	3/4"
MT3438	\$1.84	MT3438P	\$2.50	3/4"	3/8"
MT3412	\$1.92	MT3412P	\$2.59	3/4"	1/2"
MT3434	\$2.09	MT3434P	\$2.75	3/4"	3/4"
MT1038	\$2.00	MT1038P	\$2.66	1"	3/8"
MT1012	\$2.08	MT1012P	\$2.73	1"	1/2"
MT1034	\$2.26	MT1034P	\$2.91	1"	3/4"



## Elbow Barb

Use in conjunction with a hose clamp and quality thread sealant.

PART #				BARB 1	BARB 2
NYLON	PRICE ea.	POLY	PRICE ea.	HOSE BARB x 90 DEGREE	HOSE BARB
EB1414	\$1.64	EB1414P	\$2.09	1/4"	1/4"
EB3838	\$1.49	EB3838P	\$1.46	3/8"	3/8"
EB1212	\$1.06	EB1212P	\$1.08	1/2"	1/2"
EB5858	\$1.71	EB5858P	\$1.70	5/8"	5/8"
EB3434	\$1.36	EB3434P	\$1.49	3/4"	3/4"
EB1010	\$3.85			1"	1"
EB114	\$5.46	EB114P	\$5.90	1-1/4"	1-1/4"
EB112	\$5.90	EB112P	\$5.64	1-1/2"	1-1/2"
EB200	\$10.85	EB200P	\$11.00	2"	2"



## Insert Tee

Use in conjunction with a hose clamp and quality thread sealant.

PART #				BARB 1	BARB 2	BARB 3
NYLON	PRICE ea.	POLY	PRICE ea.			
T18	\$1.76	T18P	\$1.87	1/8"	1/8"	1/8"
T3160	\$1.95			3/16"	3/16"	3/16"
T14	\$1.32	T14P	\$1.90	1/4"	1/4"	1/4"
T38	\$1.38	T38P	\$1.95	3/8"	3/8"	3/8"
T3812	\$1.44	T3812P	\$2.00	1/2"	1/2"	3/8"
T12	\$1.42	T12P	\$1.95	1/2"	1/2"	1/2"
T58	\$1.52	T58P	\$2.05	5/8"	5/8"	5/8"
T3412	\$1.52	T3412P	\$2.05	1/2"	1/2"	3/4"
T34	\$1.80	T34P	\$2.04	3/4"	3/4"	3/4"
T100	\$3.15	T100P	\$3.19	1"	1"	1"
T114	\$4.59	T114P	\$4.67	1-1/4"	1-1/4"	1-1/4"
T112	\$5.59	T112P	\$5.59	1-1/2"	1-1/2"	1-1/2"
T200	\$12.59	T200P	\$12.74	2"	2"	2"



## Straight Adapter

Used in fluid plumbing applications requiring straight connection to a Male NPT fitting and a hose.

PART #				THREAD	HOSE BARB
NYLON	PRICE ea.	POLY	PRICE ea.	Female NPT x HOSE BARB	
AF1414	\$2.14			1/4"	1/4"
AF1438	\$5.04			1/4"	3/8"
AF3838	\$5.76	AF3838P	\$6.18	3/8"	3/8"
		AF3812P	\$4.82	3/8"	1/2"
AF1212	\$1.47	AF1212P	\$1.62	1/2"	1/2"
AF1238	\$1.76	AF1238P	\$1.77	1/2"	3/8"
		AF1234P	\$4.98	1/2"	3/4"
AF3412	\$5.92	AF3412P	\$5.29	3/4"	1/2"
AF3458	\$1.86	AF3458P	\$1.88	3/4"	5/8"
AF3434	\$1.86	AF3434P	\$1.88	3/4"	3/4"



## Cross Barb

Used in fluid applications requiring the connection of four hoses. Commonly called a junction fitting.

PART #				HOSE BARB
NYLON	PRICE ea.	POLY	PRICE ea.	
X14	\$1.46	X14P	\$1.63	1/4"



## Flat Seat Hose Barb

Used with swivel nut B3400 and washer W406 shown in this catalog. Combining the three pieces allows for a swivel connection of common size hoses.

PART #				HOSE BARB
NYLON	PRICE ea.	POLY	PRICE ea.	BARB x FLAT SEAT
C1800	\$0.94	C1800P	\$1.00	1/8"
C1400	\$0.71	C1400P	\$0.99	1/4"
C3800	\$0.70	C3800P	\$1.01	3/8"
C1200	\$0.71	C1200P	\$1.01	1/2"
C5800	\$0.70	C5800P	\$1.01	5/8"
C3400	\$0.72	C3400P	\$1.02	3/4"







### Reducer Bushing

Used in fluid plumbing applications to connect a Female NPT thread to a reduced size of a Male NPT fitting.

PART #				THREAD	
NYLON	PRICE ea.	POLY	PRICE ea.	Male NPT x	Female NPT
RB1418	\$1.27	RB1418P	\$1.47	1/4"	1/8"
RB3818	\$1.32	RB3818P	\$1.50	3/8"	1/8"
RB3814	\$1.28	RB3814P	\$1.47	3/8"	1/4"
RB1218	\$1.98	RB1218P	\$2.11	1/2"	1/8"
RB1214	\$1.36	RB1214P	\$1.53	1/2"	1/4"
RB1238	\$1.33	RB1238P	\$1.52	1/2"	3/8"
RB3418	\$1.47	RB3418P	\$1.62	3/4"	1/8"
RB3414	\$1.75	RB3414P	\$1.94	3/4"	1/4"
RB3438	\$1.86	RB3438P	\$1.90	3/4"	3/8"
RB3412	\$1.37	RB3412P	\$1.61	3/4"	1/2"
RB1012	\$2.45	RB1012P	\$2.49	1"	1/2"
RB1034	\$1.69	RB1034P	\$1.72	1"	3/4"
RB11434	\$3.04	RB11434P	\$3.30	1-1/4"	3/4"
RB1141	\$2.90	RB1141P	\$3.19	1-1/4"	1"
RB11234	\$3.35	RB11234P	\$3.53	1-1/2"	3/4"
RB1121	\$3.28	RB1121P	\$3.48	1-1/2"	1"
RB112114	\$2.92	RB112114P	\$4.07	1-1/2"	1-1/4"
RB2001	\$5.84	RB2001P	\$5.92	2"	1"
RB200114	\$4.45	RB200114P	\$4.50	2"	1-1/4"
RB200112	\$4.02	RB200112P	\$4.07	2"	1-1/2"
RB300200	\$7.17	RB300200P	\$10.12	3"	2"



### Elbow

Used in fluid plumbing applications to connect to Male NPT fittings at 90 degrees.

PART #				THREAD	
NYLON	PRICE ea.	POLY	PRICE ea.	Female NPT x 90 DEGREE	Female NPT
ELF12	\$4.02	ELF12P	\$4.07		1/2"
ELF34	\$4.56	ELF34P	\$4.62		3/4"
ELF100	\$6.49	ELF100P	\$6.56		1"
ELF114	\$8.79	ELF114P	\$8.90		1-1/4"
ELF112	\$10.46	ELF112P	\$10.59		1-1/2"
ELF200	\$15.32	ELF200P	\$15.05		2"



### Coupling

Used in fluid plumbing applications to connect two Male NPT fittings.

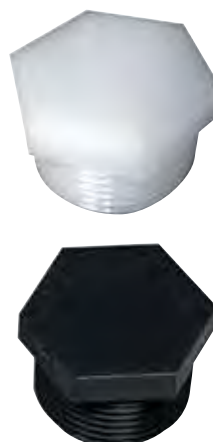
PART #				THREAD	
NYLON	PRICE ea.	POLY	PRICE ea.	Female NPT	
		FTC1800P	\$5.70	1/8"	
FTC14	\$6.12	FTC14P	\$6.46	1/4"	
FTC38	\$6.12			3/8"	
FTC12	\$4.24	FTC12P	\$4.46	1/2"	
FTC34	\$5.16	FTC34P	\$5.22	3/4"	
FTC3412	\$4.21			3/4" x 1/2"	
FTC100	\$5.86	FTC100P	\$5.93	1"	
FTC114	\$8.24	FTC114P	\$8.34	1-1/4"	
FTC112	\$9.83	FTC112P	\$9.94	1-1/2"	
FTC200	\$14.50	FTC200P	\$14.68	2"	



## Plug

Use in conjunction with a hose clamp and quality thread sealant.

PART #				THREAD
NYLON	PRICE ea.	POLY	PRICE ea.	Male NPT x HEX
F1800	\$0.66	F1800P	\$0.95	1/8"
F1400	\$0.67	F1400P	\$0.95	1/4"
F3800	\$0.70	F3800P	\$0.99	3/8"
F1200	\$0.72	F1200P	\$1.00	1/2"
F3400	\$0.80	F3400P	\$1.06	3/4"
F1000	\$1.02	F1000P	\$1.15	1"
F1014	\$1.58	F1014P	\$1.60	1-1/4"
F112	\$4.41	F112P	\$4.60	1-1/2"
F200	\$5.38			2"



## Nipple

Used in fluid plumbing application to connect two Female NPT fittings.

PART #				THREAD
NYLON	PRICE ea.	POLY	PRICE ea.	Male NPT x Male NPT
M1800	\$0.99	M1800P	\$0.95	1/8"
M1400	\$0.69	M1400P	\$0.97	1/4"
M3800	\$0.82	M3800P	\$1.02	3/8"
M1200	\$0.80	M1200P	\$1.04	1/2"
M3400	\$1.00	M3400P	\$1.17	3/4"
M1000	\$1.69	M1000P	\$1.72	1"
M1140	\$3.15	M1140P	\$3.41	1-1/4"
M1120	\$3.82	M1120P	\$3.88	1-1/2"
M2000	\$5.49	M2000P	\$5.56	2"



## Reducing Nipple

Used in fluid plumbing application to connect two Female NPT fittings.

PART #				THREAD	
NYLON	PRICE ea.	POLY	PRICE ea.	Male NPT x Male NPT	
RM1438	\$0.97	RM1438P	\$1.01	1/4"	3/8"
RM3818	\$1.15			3/8"	1/8"
RM3812	\$1.04	RM3812P	\$1.06	3/8"	1/2"
RM38116	\$1.04	RM38116P	\$1.06	3/8"	11/16" UN
RM12116	\$1.04	RM12116P	\$1.06	1/2"	11/16" UN
RM1214	\$0.97	RM1214P	\$1.04	1/2"	1/4"
RM3438	\$1.85	RM3438P	\$2.07	3/4"	3/8"
RM3412	\$1.04	RM3412P	\$1.10	3/4"	1/2"
RM34116	\$1.10	RM34116P	\$1.17	3/4"	11/16" UN
RM1141	\$2.48	RM1141P	\$3.29	1-1/4"	1"





## Tee

Used in fluid plumbing applications requiring the connection of three fittings or pipes all having Male NPT threads.

PART #				THREAD	
NYLON	PRICE ea.	POLY	PRICE ea.	Female NPT	
TT14	\$5.37	TT14P	\$5.51	1/4"	
TT12	\$5.12	TT12P	\$5.18	1/2"	
TT34	\$7.13	TT34P	\$7.21	3/4"	
TT100	\$9.07	TT100P	\$9.17	1"	
TT114	\$12.46	TT114P	\$12.62	1-1/4"	
TT112	\$14.00	TT112P	\$14.16	1-1/2"	
TT200	\$19.14	TT200P	\$19.37	2"	
		TT300P	\$76.42	3"	



## Tee with Gauge Port

Used in fluid plumbing applications requiring the connection of three fittings or pipes all having Male NPT threads. Special port extends from center of body for a gauge.

PART #				THREAD	PORT
NYLON	PRICE ea.	POLY	PRICE ea.	Female NPT	
TT1218	\$7.13	TT1218P	\$8.23	1/2"	1/8"
TT1214	\$7.13	TT1214P	\$8.07	1/2"	1/4"
TT3418	\$9.08	TT3418P	\$10.03	3/4"	1/8"
TT3414	\$9.08	TT3414P	\$10.03	3/4"	1/4"
TT10014	\$11.30	TT10014P	\$10.95	1"	1/4"
TT11414	\$12.43			1-1/4"	1/4"
TT11214	\$13.92			1-1/2"	1/4"



## Street Elbow

Used in fluid plumbing applications to connect a Female NPT fitting and a Male NPT fitting at 90 degrees. This fitting is very useful when working space is a minimum.

PART #				THREAD	THREAD
NYLON	PRICE ea.	POLY	PRICE ea.	Male NPT x 90 Degree	Female NPT
SE14	\$3.37	SE14P	\$5.47	1/4"	1/4"
SE38	\$3.37	SE38P	\$3.76	3/8"	3/8"
SE12	\$3.37	SE12P	\$3.76	1/2"	1/2"
SE1234	\$7.09	SE1234P	\$7.74	1/2"	3/4"
SE34	\$4.99	SE34P	\$5.05	3/4"	3/4"
SE100	\$7.10	SE100P	\$7.19	1"	1"
SE114	\$8.94	SE114P	\$9.05	1-1/4"	1-1/4"
SE112	\$10.66	SE112P	\$10.79	1-1/2"	1-1/2"
SE200	\$12.76	SE200P	\$12.91	2"	2"





## Adapter

Garden Hose fitting used to connect a Female GHT fitting to a Male NPT fitting.

PART #				THREAD	THREAD
NYLON	PRICE ea.	POLY	PRICE ea.	3/4" Male GHT x Female NPT	
G3412	\$2.80	G3412P	\$3.12	3/4"	1/2"
G3434	\$2.76	G3434P	\$3.08	3/4"	3/4"



## Adapter

Garden Hose fitting used to connect a Female NPT fitting to a Male GHT fitting.

PART #				THREAD	THREAD
NYLON	PRICE ea.	POLY	PRICE ea.	Male NPT x 3/4" Female GHT	
H3434	\$2.73	H3434P	\$3.05	3/4"	3/4"



## Adapter

Garden Hose fitting used to connect two female fittings.

PART #				THREAD	THREAD
NYLON	PRICE ea.	POLY	PRICE ea.	Male GHT x Male NPT	
E3412	\$1.04	E3412P	\$1.10	3/4"	1/2"
E3438	\$1.86	E3438P	\$2.07	3/4"	3/8"
E3434	\$1.02	E3434P	\$1.28	3/4"	3/4"
EE3434	\$1.34	EE3434P	\$1.40	3/4"	3/4" Male GHT



## Adapter

Garden Hose fitting used to connect a Female GHT to a Male GHT fitting.  
Female GHT requires a W 406 washer.

PART #				THREAD	THREAD
NYLON	PRICE ea.	POLY	PRICE ea.	3/4" Male GHT x 3/4" Female GHT	
I3434	\$2.70	I3434P	\$3.04	3/4"	3/4"



## Coupling

Garden Hose fitting used to connect a Male GHT to a Male NPT fitting.  
Female GHT requires a W 406 washer.

PART #				THREAD	THREAD
NYLON	PRICE ea.	POLY	PRICE ea.	3/4" Female GHT x Female NPT	
J3412	\$2.78	J3412P	\$3.10	3/4"	1/2"





## Cap

Female thread x Closed end. Requires W 406 washer.

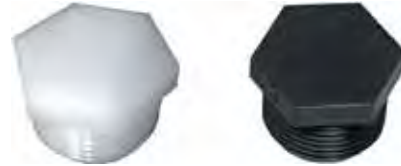
PART #				THREAD	
NYLON	PRICE ea.	POLY	PRICE ea.	Female GHT & Female NPS	
N3400	\$1.12	N3400P	\$1.14	3/4" Female GHT	
N3400F	\$1.11	N3400FP	\$1.14	3/4" Female NPS	



## Plug

Garden Hose fitting used to plug off a Female NPT fitting.

PART #				THREAD	
NYLON	PRICE ea.	POLY	PRICE ea.	3/4" Male GHT x HEX	
F3400GHT	\$0.88	F3400GHTP	\$1.07	3/4"	



## Tee Adapter

Garden Hose fitting used to connect 3/4" Female GHT fitting to two hoses.

PART #				THREAD	HOSE BARB
NYLON	PRICE ea.	POLY	PRICE ea.	Male GHT x HOSE BARB	
MT3438G	\$1.82	MT3438GP	\$2.49	3/4"	3/8"
MT3412G	\$1.92	MT3412GP	\$2.59	3/4"	1/2"
MT3434G	\$2.09	MT3434GP	\$2.74	3/4"	3/4"



## Adapter

Garden Hose fitting used to connect 3/4" Female GHT fitting to a hose.

PART #				THREAD	HOSE BARB
NYLON	PRICE ea.	POLY	PRICE ea.	3/4" Male GHT x Hose Barb	
D3414	\$0.97	D3414P	\$1.10	3/4"	1/4"
D3438	\$1.00	D3438P	\$1.10	3/4"	3/8"
D3412	\$1.02	D3412P	\$1.17	3/4"	1/2"
D3458	\$1.06	D3458P	\$1.17	3/4"	5/8"
D3434	\$1.14	D3434P	\$1.16	3/4"	3/4"
D3410	\$1.26	D3410P	\$1.28	3/4"	1"



## Elbow

Garden Hose fitting used to connect 3/4" Female GHT to a hose at 90 degrees.

PART #				THREAD	HOSE BARB
NYLON	PRICE ea.	POLY	PRICE ea.	3/4" Male GHT x 90 degree	
EL3438G	\$1.35	EL3438GP	\$1.38	3/4"	3/8"
EL3412G	\$1.34	EL3412GP	\$1.36	3/4"	1/2"
EL3458G	\$1.50	EL3458GP	\$1.53	3/4"	5/8"
EL3434G	\$1.56	EL3434GP	\$1.58	3/4"	3/4"
EL3410G	\$1.58	EL3410GP	\$1.60	3/4"	1"







## Reducing Nipple

Garden Hose fitting used to connect two Female PT fittings.

PART #				THREAD	
NYLON	PRICE ea.	POLY	PRICE ea.	MALE GHT X MALE	
RM34116G	\$1.17	RM34116GP	\$1.19	3/4"	11/16" UN



## Swivel Nut

Garden Hose fitting used to connect a hose using a C series fitting with a washer.

PART #				THREAD	
NYLON	PRICE ea.	POLY	PRICE ea.	3/4" Female GHT	
B3400	\$0.78	B3400P	\$1.04	3/4" Female GHT	
B3400F	\$0.82	B3400FP	\$1.04	3/4" Female NPS	



## Washers

Vinyl Garden Hose washer. Used with all 3/4" Female GHT fittings in this catalog.

PART #	PRICE ea.	DESCRIPTION
W406	\$0.18	Vinyl Garden Hose Washer
W40650S	\$1.62	Vinyl Garden Hose Washer with 50 mesh screen



## 3-Piece Barb Assembly

Garden Hose fitting with swivel connection. Used to connect 3/4" Female GHT to a hose. Washer is vinyl in both nylon and poly assemblies.

PART #				SWIVEL	HOSE BARB	WASHER
NYLON	PRICE ea.	POLY	PRICE ea.			
B3414W	\$2.21	B3414WP	\$2.29	B3400	1/4"	W 406
B3438W	\$2.20	B3438WP	\$2.31	B3400	3/8"	W 406
B3412W	\$2.21	B3412WP	\$2.75	B3400	1/2"	W 406
B3458W	\$2.20	B3458WP	\$2.71	B3400	5/8"	W 406
B3434W	\$2.21	B3434WP	\$2.75	B3400	3/4"	W 406



### GO GREEN INITIATIVE

Green Leaf reuses cardboard boxes for parts inventory and storage.  
Green Leaf breaks down cardboard boxes, thereby minimizing space & recycling.



## Garden Hose Shutoff Valves

Single and double garden hose valves with 3/4" GHT. 100 PSI maximum operating pressure. ABS construction.



PART #	PRICE ea.	DESCRIPTION
G3434V	\$7.81	3/4" Female GHT (inlet) x 3/4" Male GHT (1 outlet)
G3434YV	\$10.86	3/4" Female GHT (inlet) x 3/4" Male GHT (2 outlets)



## Garden Hose Couplings

Polypropylene Garden Hose Couplings used to connect a Female GHT to a Male GHT

PART #	SIZE & DESCRIPTION	PRICE ea.
GLP075AG	3/4" Female GHT x 3/4" Male Adapter	\$7.21
GLP075BG	3/4" Male GHT x 3/4" Female Adapter	\$13.72
GLP075DG	3/4" Female GHT x 3/4" Female Coupler	\$16.03
GLP075FG	3/4" Male GHT x 3/4" Male Adapter	\$7.92

Use either of the valve connectors as a quick shutoff at the end of any garden hose.



## Heavy Duty Street Elbow

PART #	DESCRIPTION	PRICE ea.
SE200HD	2" Female NPT x 2" Male NPT Long 90° Street Elbow	\$11.59
SE15045HD	1-1/2" Female NPT x 1-1/2" Male NPT Long 45° Street Elbow	\$11.60
SE20045HD	2" Female NPT x 2" Male NPT Long 45° Street Elbow	\$11.59
SE300HD	3" Female NPT x 3" Male NPT Long 90° Street Elbow	\$67.31



## Heavy Duty Straight Hose Mender

PART #	DESCRIPTION	PRICE ea.
SHM200HD	2" Hose Barb x 2" Hose Barb	\$4.65
SHM300HD	3" Hose Barb x 3" Hose Barb	\$12.05



## Heavy Duty Elb

PART #	DESCRIPTION	PRICE ea.
EL150HD	1-1/2" Male NPT Long x 1-1/2" Long Hose Barb 90° Elbow	\$7.36
EL200HD	2" Male NPT Long x 2" Long Hose Barb 90° Elbow	\$8.34
EL300HD	3" Male NPT Long x 3" Long Hose Barb 90° Elbow	\$23.19



## Heavy Duty Reducing Nipple

PART #	DESCRIPTION	PRICE ea.
RM200150HD	2" Male NPT x 1-1/2" Male NPT	\$3.71
RM300200HD	3" Male NPT x 2" Male NPT	\$12.99



## Heavy Duty Plug

PART #	DESCRIPTION	PRICE ea.
F150HD	1-1/2" Long Plug	\$4.95
F200HD	2" Long Plug	\$4.65
F300HD	3" Long Plug	\$18.55



## Heavy Duty Pipe Caps

Used in fluid plumbing applications to cap off a Long fitting

PART #	DESCRIPTION	PRICE ea.
CAP050HD	1/2" Female NPT Poly Cap	\$3.26
CAP075HD	3/4" Female NPT Poly Cap	\$5.84
CAP100HD	1" Female NPT Poly Cap	\$5.84
CAP125HD	1-1/4" Female NPT Poly Cap	\$6.49
CAP150HD	1-1/2" Female NPT Poly Cap	\$8.12
CAP200HD	2" Female NPT Poly Cap	\$9.68
CAP300HD	3" Female NPT Poly Cap	\$27.83



## Heavy Duty Coupling

PART #	DESCRIPTION	PRICE ea.
<b>Female NPT x Female NPT</b>		
FTC075HD	3/4" Female NPT x 3/4" Female NPT	\$3.71
FTC100HD	1" Female NPT x 1" Female NPT	\$4.18
FTC150HD	1-1/2" Female NPT x 1-1/2" Female NPT	\$9.27
FTC200HD	2" Female NPT x 2" Female NPT	\$10.21
FTC200100HD	2" Female NPT x 1" Female NPT	\$10.21
FTC200150HD	2" Female NPT x 1-1/2" Female NPT	\$10.21
FTC300HD	3" Female NPT x 3" Female NPT	\$34.46
FTC300200HD	3" Female NPT x 2" Female NPT	\$18.08



**GO GREEN INITIATIVE**

Go Paperless!  
Let us invoice you via email.



## Heavy Duty Poly Nipple

Used in fluid plumbing application to connect Female PT fittings

PART #	DESCRIPTION	PRICE ea.
M1124HD	1-1/2" Male NPT X 4" Male NPT Long	\$8.60
M1126HD	1-1/2" Male NPT X 6" Male NPT Long	\$10.14
M2004HD	2" Male NPT X 4" Male NPT Long	\$9.67
M2006HD	2" Male NPT X 6" Male NPT Long	\$11.40
M3000HD	3" Male NPT X 3" Male NPT Long	\$16.78
M3006HD	3" Male NPT X 6" Male NPT Long	\$27.73



## Heavy Duty Poly Combination Nipples

PART #	SIZE & DESCRIPTION	PRICE ea.
CN050P	1/2" Male NPT x 1/2" Hose Barb	\$2.52
CN075050P	3/4" Male NPT x 1/2" Hose Barb	\$2.70
CN075P	3/4" Male NPT x 3/4" Hose Barb	\$2.70
CN075100P	3/4" Male NPT x 1" Hose Barb	\$3.15
CN100075P	1" Male NPT x 3/4" Hose Barb	\$3.15
CN100P	1" Male NPT x 1" Hose Barb	\$3.15
CN100125P	1" Male NPT x 1-1/4" Hose Barb	\$4.30
CN125100P	1-1/4" Male NPT x 1" Hose Barb	\$4.30
CN125P	1-1/4" Male NPT x 1-1/4" Hose Barb	\$4.30
CN150125P	1-1/2" Male NPT x 1-1/4" Hose Barb	\$4.66
CN150P	1-1/2" Male NPT x 1-1/2" Hose Barb	\$4.66
CN150200P	1-1/2" Male NPT x 2" Hose Barb	\$5.76
CN200150P	2" Male NPT x 1-1/2" Hose Barb	\$5.76
CN200P	2" Male NPT x 2" Hose Barb	\$5.76
CN300P	3" Male NPT x 3" Hose Barb	\$14.53



## Steel Plated Combination Nipples

PART #	SIZE & DESCRIPTION	PRICE ea.
CN050SP	1/2" Male NPT x Hose Barb	\$4.68
CN075SP	3/4" Male NPT x Hose Barb	\$4.88
CN100SP	1" Male NPT x Hose Barb	\$6.27
CN125SP	1-1/4" Male NPT x Hose Barb	\$8.44
CN150SP	1-1/2" Male NPT x Hose Barb	\$10.82
CN200SP	2" Male NPT x Hose Barb	\$14.73



## Pin Lug Couplers

- Pin Lug Hose Barb Couplers (Full Sets)
- Aluminum Shank with Brass Swivel Nut

PART #	DESCRIPTION	PRICE ea.
PL150DP	1-1/2" Hose Barbs	\$26.70
PL200DP	2" Hose Barbs	\$35.39
PG150NBR	1-1/2" Gasket	\$0.81
PG200NBR	2" Gasket	\$0.88



### GO GREEN INITIATIVE

With the assistance of Green Leaf's Community Outreach Team, employees donated not only time, but also supplies to area schools backpack programs, as well as Summer Lunch programs.





## String Wing

- New wick arrangement gives a double wipe which means an even application rate and a better kill.
- Because wick runs from top to bottom rather than side to side you never have to worry about the top row of wicks drying out as have been a problem on the first generation of wick applicators.
- 5' sections help reduce wicks from drying out when applying on uneven ground where the wick bar is constantly tilted.
- Build any length applicator you want with the "String Wing", the convenient 5' sections allow you to build 10', 15', 20', etc. sections.
- The special design of alternating wicks on the end cap means when you put "String Wings" end to end you get full swath coverage; (No spots missed).
- Each "String Wing" has its own 1 1/4" fill opening and a breather to prevent vapor locking or pressure surges due to weather temperatures.

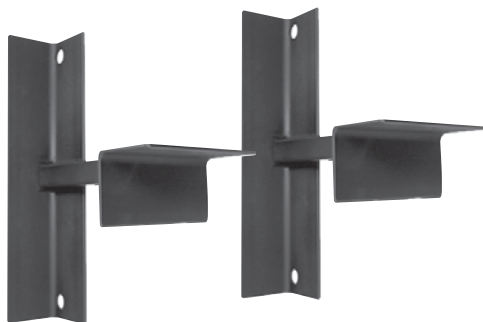
PART #	PRICE ea.
SW	\$298.63

**Use with Your  
Choice of Herbicide  
& Wick Away  
Unwanted Weeds**



## ATV Mount

Set includes 2 Brackets & Clamps for mounting the String Wing to an ATV.



PRICE per SET (2 brackets)	
SWATVBR	\$275.00

**Easily Mounts  
String Wing  
to the Front  
of Any ATV**

**\*STRING WING & STRAPS SOLD SEPARATELY**



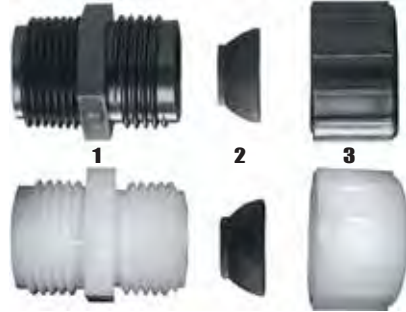
### GO GREEN INITIATIVE

Green Leaf has strategically placed recycle bins throughout the entire facility to promote and encourage daily recycling.





EG3434



## Rope Wick Fitting

REF#	PART #				DESCRIPTION
	NYLON	PRICE EA.	POLY	PRICE EA.	
1	E3434	\$1.02	E3434P	\$1.28	3/4" Male GHT X 3/4" MPT Nylon
2	W407	\$0.75			Cone Washer
3	B3450	\$0.75	B3450P	\$1.03	3/4" Female GHT x 1/2" opening
3	B3458	\$0.75	B3458P	\$1.03	3/4" Female GHT x 5/8"
1, 2, 3	E3434C	\$1.80	E3434CP	\$3.61	1ea. E3434, B3450 & W407
EG3434	EG3434	\$1.86	Glue on Body. Designed to fit over 3" schedule 40 PVC pipe only.		



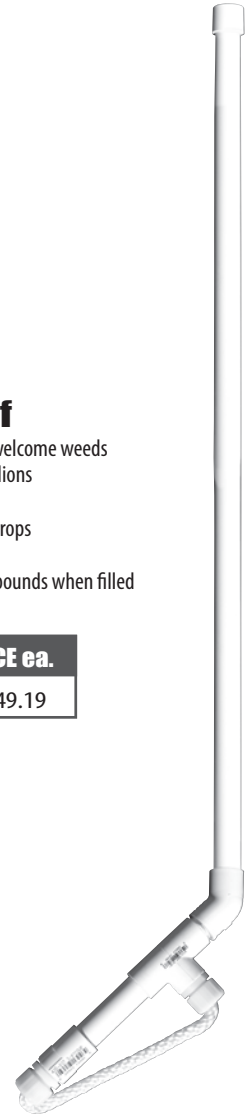
## Wick Replacement Kit

PART #	DESCRIPTION	PRICE ea.
WK1	Wick replacement for String Wing, includes 14 each 18" wicks with 28 each B3450 fittings and W407 cone washers installed.	\$93.84
WK2	Wick Replacement Kit for a 20' wick bar. Parallel wick rows. Includes 50 each 18" wicks with 100 ea. B3450 fittings & W407 cone washers installed.	\$332.03
WK3	Wick Replacement includes 50 each 18" wicks. No fittings or cone washers. Wick ends are heat sealed.	\$222.90
WK4	1 - 18" Wick; 2 - B3450 fittings and 2 - W407 cone washers. Wick ends are heat sealed.	\$7.50
WK5	String Wing Do-It-Yourself Kit - 5ft. Includes 27-EG3434; 2-SW300CAP DWF; 1-WK1; 1-SW1140CAP; 1-M1140; 1-SW Breather	\$157.63
WK10	String Wing Do-It-Yourself Kit - 10ft. Includes 54-EG3434; 2-SW300CAP DWF; 2-WK1; 1-SW1140CAP; 1-M1140; 1-SW Breather	\$326.30
WK15	String Wing Do-It-Yourself Kit - 15ft. Includes 81-EG3434; 2-SW300CAP DWF; 3-WK1; 1-SW1140CAP; 1-M1140; 1-SW Breather	\$489.45
WK20	String Wing Do-It-Yourself Kit - 20ft. Includes 108-EG3434; 2-SW300CAP DWF; 4-WK1; 1-SW1140CAP; 1-M1140; 1-SW Breather	\$652.60

## Weed Thief

- Robs garden of unwelcome weeds
- Rids lawn of dandelions
- Cleans fence rows
- Kills weeds in row crops
- Easy to use
- Lightweight 2 1/2 pounds when filled
- Economical

PART #	PRICE ea.
WT1	\$49.19



## Adapter

This fitting was used in early model rope wick applicators. Requires the use of N 1116 Nut and either an "O" ring for wick bar use or a W406 washer if used as a tank fitting. ("O" ring are special order)

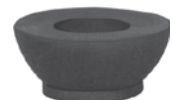


PART #				THREAD
NYLON	PRICE ea.	POLY	PRICE ea.	
1116B	\$0.91	1116BP	\$1.18	11/16"

## Cone Washer

Used for sealing wick in fitting. Fits 1/2" or 5/8" wick material.

PART #	PRICE ea.
W407	\$0.75





# GatorLock

*The cam lever coupling has been around for many years and used across multiple industries.*

*After market research and study by the Green Leaf team an innovative solution was birthed to help enhance the product. The Gator Lock cam lever coupling was designed and patented by founder Michael Goda, along with his team of engineers.*

*The Gator Lock was designed to provide enhanced safety with the exclusive cam lever locking mechanism. This mechanism helps reduce the possibility of unintentional opening of the cam levers during use, which could result in personal injury and costly spills.*

## **Safety**

Eliminate Dangerous and Messy Spills

## **Interchangeability**

Green Leaf couplers are made to an industry standard and will interchange with all cam lever coupler brands and materials made to the universal specification.

## **Quality**

Green Leaf is an ISO 9001 certified company. The GatorLock couplers are manufactured at our Indiana facility to the highest quality standard in the industry.



## B Series

PART #	DESCRIPTION	PRICE ea.
GLP050B	3/4" Female Coupler x 1/2" Male NPT	\$18.60
GLP075B	3/4" Female Coupler x 3/4" Male NPT	\$18.60
GLP100B	1" Female Coupler x 1" Male NPT	\$21.40
GLP125B	1" Female Coupler x 1-1/4" Male NPT	\$21.40
GLP150B	1-1/2" Female Coupler x 1-1/2" Male NPT	\$25.02
GLP200B	2" Female Coupler x 2" Male NPT	\$30.55
GLP300B	3" Female Coupler x 3" Male NPT	\$50.89



## C Series

PART #	DESCRIPTION	PRICE ea.
GLP050C	3/4" Female Coupler x 1/2" Hose Barb	\$18.60
GLP075C	3/4" Female Coupler x 3/4" Hose Barb	\$18.60
GLP100C	1" Female Coupler x 1" Hose Barb	\$21.40
GLP125C	1" Female Coupler x 1-1/4" Hose Barb	\$21.40
GLP150C	1-1/2" Female Coupler x 1-1/2" Hose Barb	\$25.02
GLP200C	2" Female Coupler x 2" Hose Barb	\$30.55
GLP300C	3" Female Coupler x 3" Hose Barb	\$50.89



## D Series

PART #	DESCRIPTION	PRICE ea.
GLP050D	3/4" Female Coupler x 1/2" Female NPT	\$19.22
GLP075D	3/4" Female Coupler x 3/4" Female NPT	\$19.19
GLP100D	1" Female Coupler x 1" Female NPT	\$22.92
GLP125D	1" Female Coupler x 1-1/4" Female NPT	\$22.94
GLP150D	1-1/2" Female Coupler x 1-1/2" Female NPT	\$25.02
GLP200D	2" Female Coupler x 2" Female NPT	\$30.55
GLP300D	3" Female Coupler x 3" Female NPT	\$50.89



## CAP Series

PART #	DESCRIPTION	PRICE ea.
GLP050CAP	1/2" CAP for Male Adapter	\$18.60
GLP075CAP	3/4" CAP for Male Adapter	\$18.60
GLP100CAP	1" CAP for Male Adapter	\$21.40
GLP125CAP	1" CAP for Male Adapter	\$21.40
GLP150CAP	1-1/2" CAP for Male Adapter	\$25.02
GLP200CAP	2" CAP for Male Adapter	\$30.55
GLP300CAP	3" CAP for Male Adapter	\$50.89

### GatorLock® Coupling features:

- Patent Locking Arms to reduce possibility of unintentional opening of cam levers during use.
- Glass Filled Polypropylene
- 1/2" thru 2" Maximum Operating Pressure 125 psi @ 70°F.
- 3" and 4" Maximum Operating Pressure 75 psi @ 70°F.
- E.P.D.M. Gaskets



1/2" series couplings interchange with 3/4" size couplings. Coupling ends are 3/4" size.  
 1-1/4" series couplings interchange with 1" size couplings. Coupling ends are 1" size.



## A Series

PART #	DESCRIPTION	PRICE ea.
GLP050A	3/4" Male Adapter x 1/2" Female NPT	\$7.21
GLP075A	3/4" Male Adapter x 3/4" Female NPT	\$7.21
GLP100A	1" Male Adapter x 1" Female NPT	\$6.71
GLP125A	1" Male Adapter x 1-1/4" Female NPT	\$6.71
GLP150A	1-1/2" Male Adapter x 1-1/2" Female NPT	\$7.92
GLP150125A	1-1/2" Male Adapter x 1-1/4" Female NPT	\$8.78
GLP200A	2" Male Adapter x 2" Female NPT	\$9.25
GLP200300A	2" Male Adapter x 3" Female NPT	\$13.92
GLP300A	3" Male Adapter x 3" Female NPT	\$20.88
GLP400A	4" Male Adapter x 4" Female NPT	\$35.06



## F Series

PART #	DESCRIPTION	PRICE ea.
GLP050F	3/4" Male Adapter x 1/2" Male NPT	\$7.93
GLP075F	3/4" Male Adapter x 3/4" Male NPT	\$7.93
GLP100F	1" Male Adapter x 1" Male NPT	\$8.07
GLP125F	1" Male Adapter x 1-1/4" Male NPT	\$8.07
GLP150F	1-1/2" Male Adapter x 1-1/2" Male NPT	\$8.33
GLP150125F	1-1/2" Male Adapter x 1-1/4" Male NPT	\$9.29
GLP200F	2" Male Adapter x 2" Male NPT	\$11.56
GLP200300F	2" Male Adapter x 3" Male NPT	\$13.92
GLP300F	3" Male Adapter x 3" Male NPT	\$22.37
GLP400F	4" Male Adapter x 4" Male NPT	\$35.19



## E Series

PART #	DESCRIPTION	PRICE ea.
GLP050E	3/4" Male Adapter x 1/2" Hose Barb	\$7.93
GLP075E	3/4" Male Adapter x 3/4" Hose Barb	\$7.93
GLP100E	1" Male Adapter x 1" Hose Barb	\$8.07
GLP125E	1" Male Adapter x 1-1/4" Hose Barb	\$8.07
GLP150E	1-1/2" Male Adapter x 1-1/2" Hose Barb	\$8.33
GLP150125E	1-1/2" Male Adapter x 1-1/4" Hose Barb	\$9.29
GLP200E	2" Male Adapter x 2" Hose Barb	\$11.56
GLP300E	3" Male Adapter x 3" Hose Barb	\$23.27
GLP400E	4" Male Adapter x 4" Hose Barb	\$35.19



## PL Series

PART #	DESCRIPTION	PRICE ea.
GLP050PL	1/2" Plug for Female Coupler	\$7.26
GLP075PL	3/4" Plug for Female Coupler	\$7.26
GLP100PL	1" Plug for Female Coupler	\$7.26
GLP125PL	1" Plug for Female Coupler	\$7.26
GLP150PL	1-1/2" Plug for Female Coupler	\$8.07
GLP200PL	2" Plug for Female Coupler	\$10.88
GLP300PL	3" Plug for Female Coupler	\$20.03
GLP400PL	4" Plug for Female Coupler	\$27.67

### Cam Lever Coupling features:

- Glass Filled Polypropylene
- 1/2" thru 2" Maximum Operating Pressure 125 psi @ 70°F.
- 3" and 4" Maximum Operating Pressure 75 psi @ 70°F.
- E.P.D.M. Gaskets

1/2" series couplings interchange with 3/4" size couplings. Coupling ends are 3/4" size.  
 1-1/4" series couplings interchange with 1" size couplings. Coupling ends are 1" size.





## B Series

PART #	DESCRIPTION	PRICE ea.
GLP050BNL	3/4" Female Coupler x 1/2" Male NPT	\$13.66
GLP075BNL	3/4" Female Coupler x 3/4" Male NPT	\$13.72
GLP100BNL	1" Female Coupler x 1" Male NPT	\$14.87
GLP125BNL	1" Female Coupler x 1-1/4" Male NPT	\$16.24
GLP150BNL	1-1/2" Female Coupler x 1-1/2" Male NPT	\$20.08
GLP150125BNL	1-1/2" Female Coupler x 1-1/4" Male NPT	\$23.02
GLP200BNL	2" Female Coupler x 2" Male NPT	\$24.46
GLP300BNL	3" Female Coupler x 3" Male NPT	\$39.15
GLP300B200A	2" Female Coupler x 3" Male NPT	\$46.39
GLP400BNL	4" Female Coupler x 4" Male NPT	\$89.03



## C Series

PART #	DESCRIPTION	PRICE ea.
GLP050CNL	3/4" Female Coupler x 1/2" Hose Barb	\$13.72
GLP075CNL	3/4" Female Coupler x 3/4" Hose Barb	\$13.72
GLP100CNL	1" Female Coupler x 1" Hose Barb	\$16.09
GLP125CNL	1" Female Coupler x 1-1/4" Hose Barb	\$16.20
GLP150CNL	1-1/2" Female Coupler x 1-1/2" Hose Barb	\$19.83
GLP150125CNL	1-1/2" Female Coupler x 1-1/4" Hose Barb	\$23.02
GLP200CNL	2" Female Coupler x 2" Hose Barb	\$24.46
GLP300CNL	3" Female Coupler x 3" Hose Barb	\$43.83
GLP400CNL	4" Female Coupler x 4" Hose Barb	\$89.03



## D Series

PART #	DESCRIPTION	PRICE ea.
GLP050DNL	3/4" Female Coupler x 1/2" Female NPT	\$16.00
GLP075DNL	3/4" Female Coupler x 3/4" Female NPT	\$16.03
GLP100DNL	1" Female Coupler x 1" Female NPT	\$18.75
GLP125DNL	1" Female Coupler x 1-1/4" Female NPT	\$18.77
GLP150DNL	1-1/2" Female Coupler x 1-1/2" Female NPT	\$22.24
GLP150125DNL	1-1/2" Female Coupler x 1-1/4" Female NPT	\$24.06
GLP200DNL	2" Female Coupler x 2" Female NPT	\$24.46
GLP300DNL	3" Female Coupler x 3" Female NPT	\$38.27
GLP400DNL	4" Female Coupler x 4" Female NPT	\$89.03



## CAP Series

PART #	DESCRIPTION	PRICE ea.
GLP050CAPNL	1/2" CAP for Male Adapter	\$14.13
GLP075CAPNL	3/4" CAP for Male Adapter	\$14.13
GLP100CAPNL	1" CAP for Male Adapter	\$16.09
GLP125CAPNL	1" CAP for Male Adapter	\$16.09
GLP150CAPNL	1-1/2" CAP for Male Adapter	\$19.81
GLP200CAPNL	2" CAP for Male Adapter	\$24.46
GLP300CAPNL	3" CAP for Male Adapter	\$40.71
GLP400CAPNL	4" CAP for Male Adapter	\$64.96

### Cam Lever Coupling features:

- Glass Filled Polypropylene
- 1/2" thru 2" Maximum Operating Pressure 125 psi @ 70°F.
- 3" and 4" Maximum Operating Pressure 75 psi @ 70°F.
- E.P.D.M. Gaskets

1/2" series couplings interchange with 3/4" size couplings. Coupling ends are 3/4" size.  
 1-1/4" series couplings interchange with 1" size couplings. Coupling ends are 1" size.





## B Series

PART #	DESCRIPTION	PRICE ea.
GLP150BNLP	1-1/2" Female Coupler x 1-1/2" Male NPT	\$16.53
GLP200BNLP	2" Female Coupler x 2" Male NPT	\$18.34



## C Series

PART #	DESCRIPTION	PRICE ea.
GLP150CNLP	1-1/2" Female Coupler x 1-1/2" Hose Barb	\$16.53
GLP200CNLP	2" Female Coupler x 2" Hose Barb	\$18.34



## CAP Series

PART #	DESCRIPTION	PRICE ea.
GLP150CAPNLP	1-1/2" CAP for Male Adapter	\$16.53
GLP200CAPNLP	2" CAP for Male Adapter	\$18.34



## D Series

PART #	DESCRIPTION	PRICE ea.
GLP150DNLP	1-1/2" Female Coupler x 1-1/2" Female NPT	\$17.48
GLP200DNLP	2" Female Coupler x 2" Female NPT	\$18.34

### "Green Arm" Coupling features:

- Economical Plastic Arms
- Glass Filled Polypropylene
- Arms have Lifetime Warranty
- Maximum Operating Pressure 90 P.S.I. @ 70° F
- E.P.D.M. Gaskets

1/2"series couplings interchange with 3/4" size couplings. Coupling ends are 3/4" size.  
 1-1/4"series couplings interchange with 1" size couplings. Coupling ends are 1" size.



### GO GREEN INITIATIVE

*With the guidance of the Wellness Committee, employees were able to learn the fine art of canning from a local salsa company. A great way to promote fresh food usage and healthy food preparation for families.*



## AL 90° Series

PART #	DESCRIPTION	PRICE ea.
GLP150AL	1-1/2" Male Adapter x 1-1/2" Female NPT	\$16.02
GLP200AL	2" Male Adapter x 2" Female NPT	\$18.02



## CL 90° Series

PART #	DESCRIPTION	PRICE ea.
GLP150CLNL	1-1/2" Female Coupler x 1-1/2" Hose Shank	\$33.56
GLP200CLNL	2" Female Coupler x 2" Hose Shank	\$40.08



## DL 90° Series

PART #	DESCRIPTION	PRICE ea.
GLP150DLNL	1-1/2" Female Coupler x 1-1/2" Female NPT	\$33.57
GLP200DLNL	2" Female Coupler x 2" Female NPT	\$40.08



## 45° F Series

PART #	DESCRIPTION	PRICE ea.
GLP200F45	2" Male Adapter x 2" Male NPT	\$15.81



## FL 90° Series

PART #	DESCRIPTION	PRICE ea.
GLP150FLNL	1-1/2" Male Adapter x 1-1/2" Male NPT	\$19.58
GLP200FLNL	2" Male Adapter x 2" Male NPT	\$20.17



## Replacement Gasket

PART #	DESCRIPTION	PRICE ea.
90043	1/2" & 3/4" EPDM Gasket	\$0.49
90042	1" & 1-1/4" EPDM Gasket	\$0.59
90041	1-1/2" EPDM Gasket	\$0.70
90040	2" EPDM Gasket	\$0.86
90039	3" EPDM Gasket	\$3.94
90038	4" EPDM Gasket	\$3.94

\*Also available in viton

### 90 Degree Coupling features:

- Glass Filled Polypropylene
- Maximum Operating Pressure 125 P.S.I. @ 70°F
- E.P.D.M. Gaskets



### GO GREEN INITIATIVE

Green Leaf Inc recycled over 1 ton of waste in 2015.



# *Ball Valves*

## ***Selection***

Green Leaf valves are available in sizes ranging from 1/2" to 4".

## ***Quality***

Our primary resin is a high strength custom blended glass filled polypropylene.

## ***Location***

Green Leaf takes pride in the fact that most of our valves are made on site at our Indiana manufacturing location.

## ***Experience***

We have been producing high quality ball valves over 2 decades.

## ***Variety***

We have a variety of styles and configurations. Choose from pipe threaded valves, garden hose valves, BSP valves, full port, standard port, and many more.

## ***Custom***

Can't find what you're looking for in our standard valve line? No worries, we make custom valves as well!

## ***Knowledge***

Let us use our expertise to help you make the right choice.

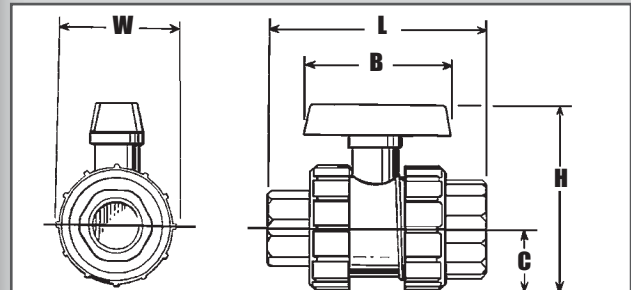


## True Union Ball Valve

PART #	DESCRIPTION	PRICE ea.
TU050E	1/2" Female NPT, Full Port (T handle)	\$32.64
TU050EL	1/2" Female NPT, Full Port (lever handle)	\$35.40
TU075E	3/4" Female NPT, Full Port (T handle)	\$36.08
TU075EL	3/4" Female NPT, Full Port (lever handle)	\$38.84
TU100E	1" Female NPT, Standard Port (T handle)	\$40.20
TU100EL	1" Female NPT, Standard Port (lever handle)	\$42.97
TU125E	1-1/4" Female NPT, Full Port (T handle)	\$53.94
TU125EL	1-1/4" Female NPT, Full Port (lever handle)	\$56.68
TU150E	1-1/2" Female NPT, Full Port (T handle)	\$56.68
TU150EL	1-1/2" Female NPT, Full Port (lever handle)	\$59.43
TU200E	2" Female NPT, Standard Port (T handle)	\$67.68
TU200EL	2" Female NPT, Standard Port (lever handle)	\$70.77

### True Union Valve features:

- In-Line Repairable
- Sturdy construction, chemical couple polypropylene
- Precision machined ball & multiple "O" ring seals prevent leaking
- 125 P.S.I. @ 140°F
- PTFE filled Polyethylene Seats
- E.P.D.M. seals standard (optional for Viton® & Buna seals)
- Optional Lever Handles



SIZE	B	L	H	C	W
1-1/4", 1-1/2", 2"	4-1/4"	6-1/4"	5-1/2"	1-7/8"	3-3/4"
1/2", 3/4", 1"	3-1/2"	4-3/4"	3-3/8"	1-1/8"	2-3/8"



## Optional Lever Handle

PART #	DESCRIPTION	PRICE ea.
TU25	Lever handle for Small Valve (1/2" thru 1")	\$10.44
TU26	Lever handle for Large Valve (1 1/4" thru 2")	\$15.84



## Optional T Handle

PART #	DESCRIPTION	PRICE ea.
TU 15	T Handle for True Union Valve (for 1/2" thru 1")	\$8.43
TU 16	T Handle for True Union Valve (for 1-1/4" thru 2")	\$15.18

Valve repair kits available.  
Call 800-654-9808 for more information.



### GO GREEN INITIATIVE

A Flu-Shot Clinic is held each fall for Green Leaf Employees and their spouses.



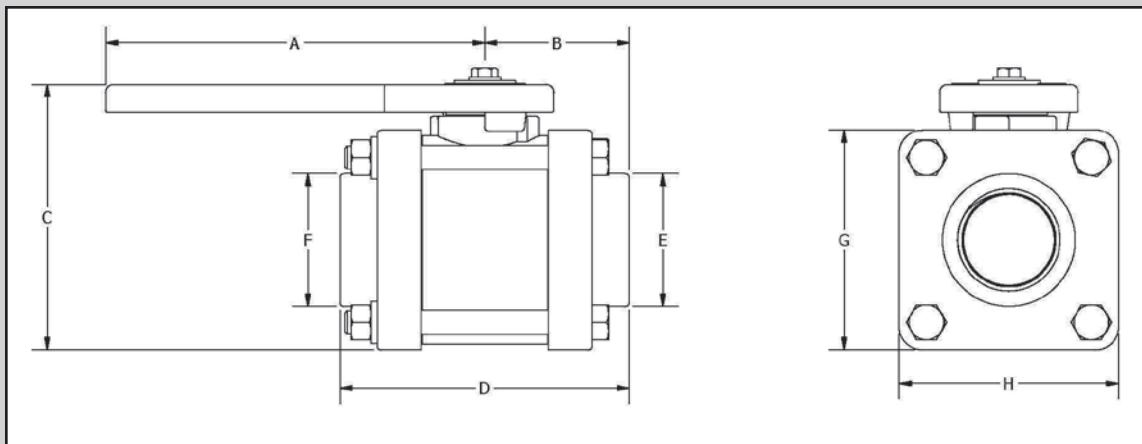
## Four Bolt Valves

PART #	DESCRIPTION	PRICE ea.
V050FP	1/2" Female NPT, Full Port, 150 psi @ 70° F	\$62.19
V075FP	3/4" Female NPT, Full Port, 150 psi @ 70° F	\$62.19
V100FP	1" Female NPT, Full Port, 150 psi @ 70° F	\$69.33
V125FP	1 1/4" Female NPT, Full Port, 150 psi @ 70° F	\$81.44
V150FP	1 1/2" Female NPT, Full Port, 150 psi @ 70° F	\$81.44
V200	2" Female NPT, Standard Port, 150 psi @ 70° F	\$81.44

### Bolted Ball Valve features:

- Stainless Steel Bolts
- Precision molded in polypropylene.
- Polypropylene is reinforced with fiberglass for additional strength. Self-aligning ball moves freely against the Teflon® seats for smooth operation. The valve opens and closes with little pressure on the handle.
- Ball is diamond turned, after molding, to make it spherically perfect, which provides precise contact between ball and seats.
- Viton® "O" rings.
- Teflon® self-lubricating stem bushings and seats cannot stick or bind.

**Valve repair kits available.  
Call 800-654-9808 for more information.**



Part Number	Dimensions (Inches)							
	A	B	C	D	E	F	G	H
V050FP	4-3/8"	1-5/8"	3"	3-3/8"	1-3/4"	1-3/4"	2-1/2"	2-1/2"
V075FP	4-3/8"	1-5/8"	3"	3-1/2"	1-7/8"	1-7/8"	2-1/2"	2-1/2"
V100	4-3/8"	1-5/8"	3"	3-5/8"	1-7/8"	1-7/8"	2-1/2"	2-1/2"
V100FP	4-3/8"	2-1/4"	3-5/8"	4-1/4"	2-1/4"	2-1/4"	3"	3"
V125FP	6-1/8"	2-3/8"	4-3/8"	4-3/4"	2-1/8"	2-1/8"	3-5/8"	3-5/8"
V150FP	6-1/8"	2-3/8"	4-3/8"	4-3/4"	2-1/2"	2-1/2"	3-5/8"	3-5/8"
V200	6-1/8"	2-3/8"	4-3/8"	4-3/4"	2-7/8"	2-7/8"	3-5/8"	3-5/8"
VF204FP	9-1/4"	2-3/4"	5-1/2"	5-1/2"	3"	3"	4-1/4"	4-1/4"
VF204FP	9-1/4"	4-5/8"	5-1/2"	7-3/8"	2-1/2"	3"	4-1/4"	4-1/4"
VFMT204FP	9-1/4"	4-5/8"	5-1/2"	8-1/4"	2-1/2"	2-1/4"	4-1/4"	4-1/4"
VMM204FP	9-1/4"	3-5/8"	5-1/2"	7-3/8"	2-1/4"	2-1/4"	4-1/4"	4-1/4"
VMT204	9-1/4"	2-3/4"	5-1/2"	6-1/2"	3"	2-1/4"	4-1/4"	4-1/4"
V200FP	9-1/4"	3"	6-1/2"	6"	3"	3"	5-3/8"	6-1/8"
V300	9-1/4"	3"	6-1/2"	6"	4-1/4"	4-1/4"	5-3/8"	6-1/8"
V300FP	9-1/4"	3"	7-1/2"	6-5/8"	4-1/4"	4-1/4"	6-1/2"	7-3/8"
V400FP	9-3/8"	4"	8-3/4"	8"	5-1/2"	5-1/2"	7-3/4"	7-7/8"



### GO GREEN INITIATIVE

Ordering in case quantity reduces the need for unnecessary packing materials that eventually become waste.  
Go Green...Talk to Us About Ordering by Carton Quantity!





**Six Bolt Valves**

PART #	DESCRIPTION	PRICE ea.
V200FP	2" Female NPT, Full Port, 100 psi @ 70° F	\$117.27
V300	3" Female NPT, Standard Port, 100 psi @ 70° F	\$172.23
V300FP	3" Female NPT, Full Port, 100 psi @ 70° F	\$253.97



**Eight Bolt Valve**

PART #	DESCRIPTION	PRICE ea.
V400FP	4" Female NPT, Full Port, 100 psi @ 70° F	\$425.00

*Valve repair kits available.  
Call 800-654-9808 for more information.*



**Replacement Handles**

DESCRIPTION	PART #	PRICE ea.
Handle Straight - 4 Bolt Series	V20153	\$7.76
Handle Straight - 6 Bolt Series	V25153	\$11.94
Handle Straight - 8 Bolt Series	V20154	\$14.74



**GO GREEN INITIATIVE**

*Green Leaf Employees recycled more than  
1000lbs. of personal materials in 2015!*



## Four Bolt Valves

PART #	DESCRIPTION	PRICE ea.
V204FP	2" Female NPT, Full Port, 100 psi @ 70° F	\$94.79



## Four Bolt Valves

PART #	DESCRIPTION	PRICE ea.
VF204FP	2" Female NPT x 2" Male Adapter, Full Port, 100 psi @ 70° F	\$96.48



## Four Bolt Valves

PART #	DESCRIPTION	PRICE ea.
VFMT204FP	2" Male NPT x 2" Male Adapter, Full Port, 100 psi @ 70° F	\$102.95



## Four Bolt Valves

PART #	DESCRIPTION	PRICE ea.
VMM204FP	2" Male NPT x 2" Male MPT, Full Port, 100 psi @ 70° F	\$102.95



## Four Bolt Valves

PART #	DESCRIPTION	PRICE ea.
VMT204FP	2" Female NPT x 2" Male NPT, Full Port, 100 psi @ 70° F	\$94.74

*Valve repair kits available.  
Call 800-654-9808 for more information.*



### GO GREEN INITIATIVE

*Green Leaf Employees generously support local food banks.*

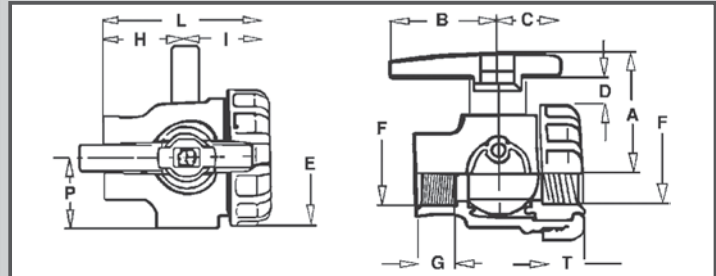


## Single Union Valves

PART #	DESCRIPTION	PRICE ea.
SU050E	1/2" Female NPT	\$31.16
SU075E	3/4" Female NPT	\$31.16
SU100E	1" Female NPT	\$32.72
SU125E	1 1/4" Female NPT	\$62.43
SU150E	1 1/2" Female NPT	\$74.32
SU200E	2" Female NPT	\$85.96

### Single Union Valve features:

- Sturdy Construction, fiberglass reinforced polypropylene body
- PTFE seats for smooth operation
- E.P.D.M. seals standard
- 125 P.S.I. @ 140° F



F/F NPT Threads (F)	Type	Dimensions (Inches)										
		A	B	C	D	E	G	H	I	L	P	T
1/2"		2.36	1.65	1.65	0.63	2.32	0.91	1.71	1.75	3.46		0.91
3/4"		2.36	1.65	1.65	0.63	2.32	0.91	1.71	1.75	3.46		0.91
1"	1	2.87	1.65	2.09	0.79	2.72	0.91	1.83	2.05	3.88	1.46	0.98
1 1/4"	1	3.15	1.65	3.03	0.79	3.23	0.98	2.11	2.17	4.27	1.69	1.02
1 1/2"	2	3.43	1.93	3.15	0.79	3.90	1.10	2.46	2.50	4.96	2.01	1.10
2"	2	4.33	1.93	5.12	0.98	4.53	1.18	2.87	2.97	5.85	2.01	1.18

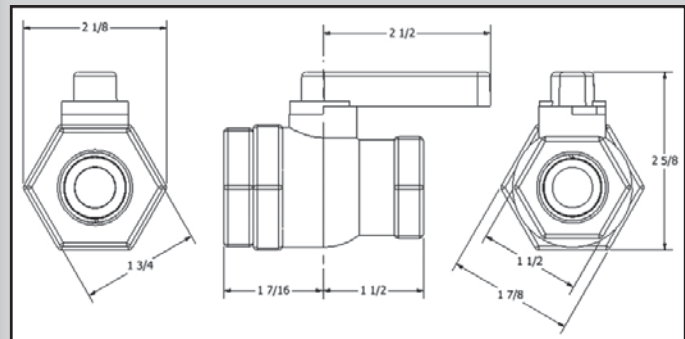


## HM Quick Shut Off Valve

PART #	DESCRIPTION	PRICE ea.
HM50B	1/2" Female NPT With Buna "O" Ring	\$21.55
HM75B	3/4" Female NPT With Buna "O" Ring	\$21.55
HM38V	3/8" Female NPT With Viton® "O" Ring	\$22.55
HM50V	1/2" Female NPT With Viton® "O" Ring	\$22.55
HM75V	3/4" Female NPT With Viton® "O" Ring	\$22.55

### Shut Off Valve features:

- One quarter turn polypropylene ball valve
- Used in liquid plumbing application as a quick shut off valve
- 75 P.S.I.

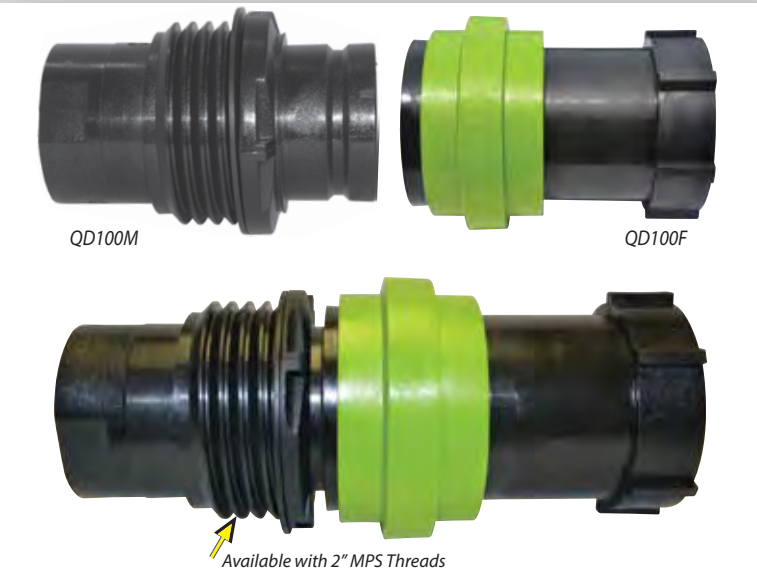


Valve repair kits available.  
Call 800-654-9808 for more information.



### GO GREEN INITIATIVE

Throughout our facility, we have energy efficient light fixtures. The fixtures are designed to use 50% less energy than standard fluorescent fixtures while still providing our team with the same amount of lighting.



## Dry Poppet Couplings

PART #	DESCRIPTION	PRICE ea.
QD100F	Female Dry Poppet Coupler, 1" Female NPT Threads FKM (viton type) Seals	\$133.40
QD100M	Male Dry Poppet Adapter, 1" Female NPT Threads FKM (viton type) Seals	\$105.72

### Dry Poppet Coupling features:

- Lightweight
- Minimal Fluid Spillage
- Easy to Use
- Economical
- PTFE filled Polyethylene Seats
- Reduces Risk of Exposure
- Wide Range of Chemical Resistance
- Maximum Operating Pressure 70 P.S.I. @ 70°F
- Maximum Operating Temperature 150°F
- 30 GPM Maximum Flow
- Precision Molded in Polypropylene
- 1" Female NPT Threads

### Applications:

- Agriculture
- Industrial
- Pharmaceutical
- Chemical processing



## Four Bolt Valves

PART #	DESCRIPTION	PRICE ea.
VQD200	2" Male NPT x 2" Male Dry Poppet Adapter	\$135.75

*Valve repair kits available.  
Call 800-654-9808 for more information.*



### GO GREEN INITIATIVE

*The Green Leaf Wellness Committee has setup healthy snack stations throughout Green Leaf to promote better nutrition in the workplace.*



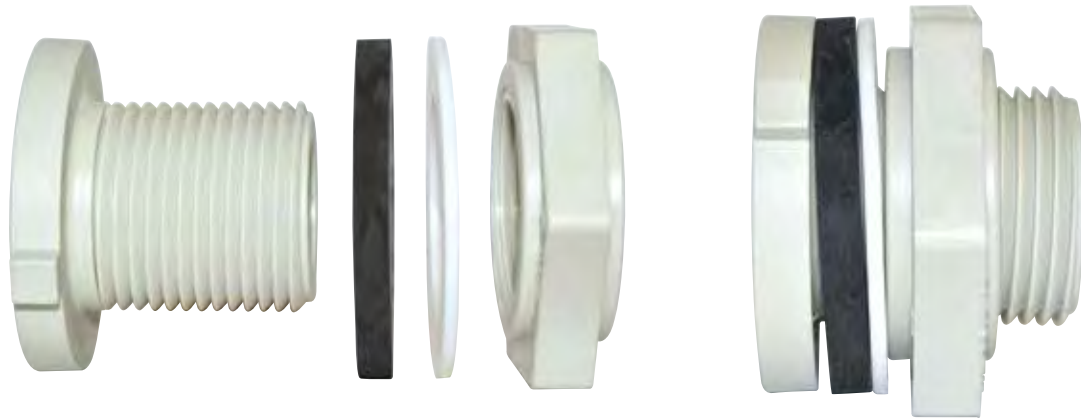
## Bulkhead Fitting

External Thread and nut are left hand threads.  
 Internal Thread is FPT.  
 For use with tanks having a wall thickness of 1/16" to 1/2".

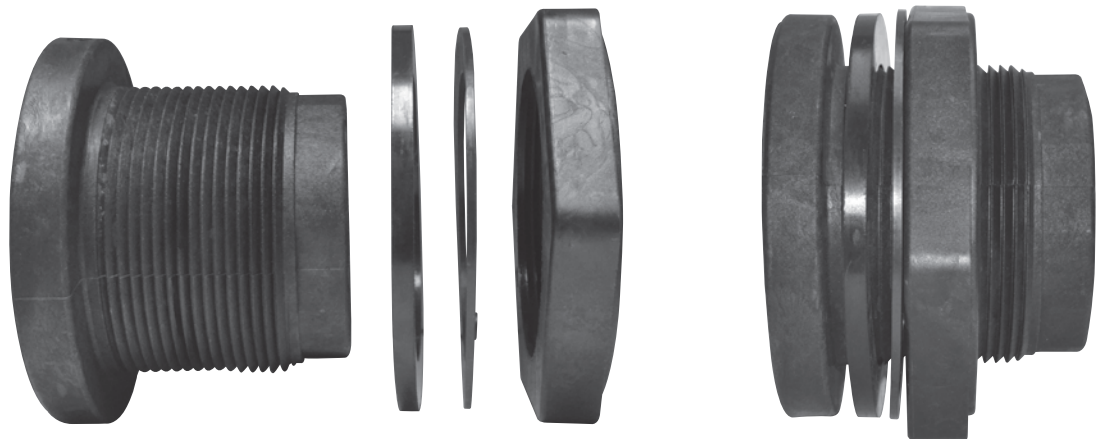
### Material:

- Body and Nut are either Nylon (N) or Polypropylene (P)
- Friction washer is Polyethylene
- Sealing washer is either Buna (B), EPDM (E) or Santoprene.

Nylon, Buna and Polyethylene used in manufacturing are FDA approved grade.



PART #						THREAD	WASHER	HOLE SIZE
INTERNAL SEALING								
NYLON	PRICE ea.	CTN. QTY	POLYPROPYLENE	PRICE ea.	CTN. QTY			
TF12NB	\$9.87	150	TF12PB	\$9.87	150	1/2" Female NPT	BUNA	1-1/4"
TF12NE	\$9.37	150	TF12PE	\$9.36	150	1/2" Female NPT	EPDM	1-1/4"
TF34NB	\$9.37	150	TF34PB	\$9.36	150	3/4" Female NPT	BUNA	1-3/8"
TF34NE	\$9.37	150	TF34PE	\$8.75	150	3/4" Female NPT	EPDM	1-3/8"
			TF100PE	\$11.22	100	1" Female NPT	EPDM	1-3/4"
			TF125PE	\$10.60	100	1 1/4" Female NPT	EPDM	2-1/4"
			TF150PE	\$13.08	60	1 1/2" Female NPT	EPDM	3"
			TF200PE	\$13.08	60	2" Female NPT	EPDM	3"
			TF300PE	\$49.43	18	3" Female NPT	EPDM	4-1/2"
			TF400PE	\$155.10	2	4" Female NPT	EPDM	5-3/4"



### GO GREEN INITIATIVE

Green Leaf employees have their own reusable cup,  
 eliminating the use of styrofoam and plastic.





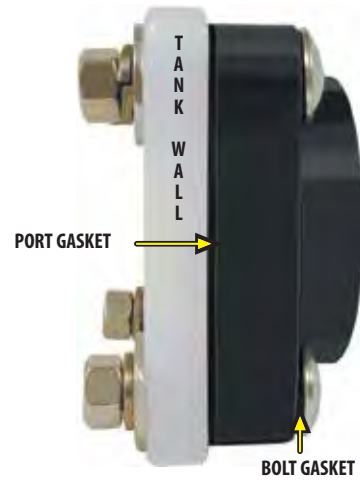
## Outlet Flange (OF)

For use when access to inside of tank is available  
Fits Tank Wall thickness from 1/4" - 1/2"

- Polypropylene Flanges
- Stainless Steel bolts, nuts & washers
- EPDM Gaskets

Sizes: 1-1/4", 1-1/2", 2" Standard Port, 2" Full Port

PART #	DESCRIPTION	PRICE ea.
OF125	1-1/4" Female NPT Full Port	\$44.94
OF150	1-1/2" Female NPT Full Port	\$44.94
OF200FP	2" Female NPT Full Port	\$51.57



## Inside Bolt Seal Double Seal Flange (DS)

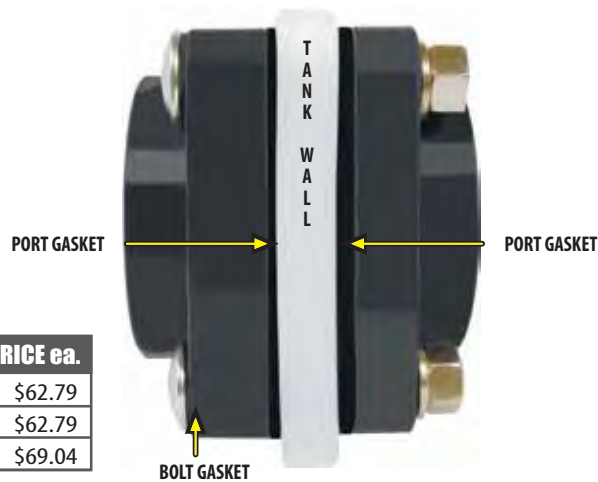
Nuts are tightened from outside of tank  
Fits Tank Wall thickness from 1/4" - 1/2"

- Polypropylene Flanges
- Stainless Steel bolts, nuts & washers
- EPDM Gaskets

Sizes: 1-1/4", 1-1/2", 2" Standard Port, 2" Full Port

PART #	INLET	x	OUTLET	PRICE ea.
DS125	2" SP*		1-1/4" Full Port	\$62.79
DS150	2" SP*		1-1/2" Full Port	\$62.79
DS200FP	2" Full Port		2" Full Port	\$69.04

\*SP = 1 1/2" Port



### GO GREEN INITIATIVE

Green Leaf has implemented "summer hours" for energy savings as well as employee's family time.



**Black Poly Top & Bowl In-Line Strainer**

PART #	DESCRIPTION	PRICE ea.
LST05050	1/2" Poly T-Strainer 50 Mesh	\$41.70
LST05080	1/2" Poly T-Strainer 80 Mesh	\$41.70
LST07550	3/4" Poly T-Strainer 50 Mesh	\$41.70
LST07580	3/4" Poly T-Strainer 80 Mesh	\$41.70
LST10050	1" Poly T-Strainer 50 Mesh	\$65.40
LST10080	1" Poly T-Strainer 80 Mesh	\$65.40
LST12550	1-1/4" Poly T-Strainer 50 Mesh	\$70.30
LST12580	1-1/4" Poly T-Strainer 80 Mesh	\$70.30
LST15050	1-1/2" Poly T-Strainer 50 Mesh	\$80.70
LST15080	1-1/2" Poly T-Strainer 80 Mesh	\$80.70



- EPDM Gaskets
- Stainless Steel Screens

Replacement Gaskets & Screens Available

**Black Poly Top & Clear Nylon Bowl In-Line Strainer**

PART #	DESCRIPTION	PRICE ea.
LSTM05050C	1/2" Poly T-Strainer 50 Mesh	\$45.70
LSTM05080C	1/2" Poly T-Strainer 80 Mesh	\$45.70
LSTM07550C	3/4" Poly T-Strainer 50 Mesh	\$45.70
LSTM07580C	3/4" Poly T-Strainer 80 Mesh	\$45.70
LSTM10050C	1" Poly T-Strainer 50 Mesh	\$83.70
LSTM10080C	1" Poly T-Strainer 80 Mesh	\$83.70
LSTM12550C	1-1/4" Poly T-Strainer 50 Mesh	\$88.60
LSTM12580C	1-1/4" Poly T-Strainer 80 Mesh	\$88.60
LSTM15050C	1-1/2" Poly T-Strainer 50 Mesh	\$99.00
LSTM15080C	1-1/2" Poly T-Strainer 80 Mesh	\$99.00



- EPDM Gaskets
- Stainless Steel Screens

Replacement Gaskets & Screens Available

**White Nylon Top & Clear Nylon Bowl In-Line Strainer**

PART #	DESCRIPTION	PRICE ea.
LSTM05050NC	1/2" Poly T-Strainer 50 Mesh	\$50.34
LSTM05080NC	1/2" Poly T-Strainer 80 Mesh	\$50.34
LSTM07550NC	3/4" Poly T-Strainer 50 Mesh	\$50.34
LSTM07580NC	3/4" Poly T-Strainer 80 Mesh	\$50.34
LSTM10050NC	1" Poly T-Strainer 50 Mesh	\$103.30
LSTM10080NC	1" Poly T-Strainer 80 Mesh	\$103.30
LSTM12550NC	1-1/4" Poly T-Strainer 50 Mesh	\$108.30
LSTM12580NC	1-1/4" Poly T-Strainer 80 Mesh	\$108.30
LSTM15050NC	1-1/2" Poly T-Strainer 50 Mesh	\$110.90
LSTM15080NC	1-1/2" Poly T-Strainer 80 Mesh	\$110.90

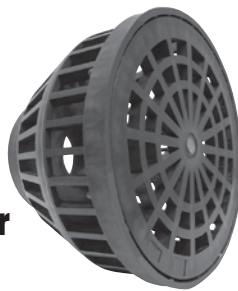


- EPDM Gaskets
- Stainless Steel Screens

Replacement Gaskets & Screens Available

**Polypropylene Basket Suction Strainer**

*Polypropylene Strainer*



PART #	DESCRIPTION	PRICE ea.
SR150P	1-1/2" Female NPT	\$18.98
SR200P	2" Female NPT	\$18.98
SR300P	3" Female NPT	\$32.42

**Round Hole Steel Basket Strainer**

Zinc Plated, with standard Pipe Threads



PART #	DESCRIPTION	PRICE ea.
SR125SP	1-1/4" Female NPT	\$29.03
SR150SP	1-1/2" Female NPT	\$29.03
SR200SP	2" Female NPT	\$35.13
SR300SP	3" Female NPT	\$50.95

# Spray Components



## **Range of Product**

Whether you're landscaping or out on the back 40, Green Leaf has the top quality fluid flow products and component parts to help you get the job done.

## **Attributes**

Our extensive product line is focused on fluid flow & related components. This means Green Leaf is able to meet our customers complete needs.

## **Position**

By trusting Green Leaf's 37+ years of experience, you can be assured that your fluid flow needs are not only met, but places you in the position to succeed.

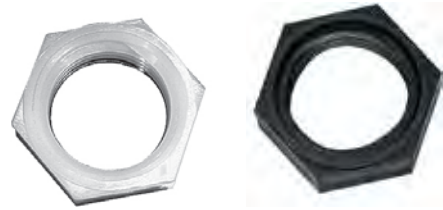
Your Success is Our Success!



## Hex Nut

Used to lock nozzle fitting in this catalog to Boom Clamp fittings.

PART #				THREAD
NYLON	PRICE ea.	POLY	PRICE ea.	
N1116	\$0.46	N1116P	\$0.66	11/16" Female UN



## Straight Adapter

Thread 11/16" male UN x hose barb, nut included. Used on the terminating ends of spray boom or a boom using a manifold.

PART #				HOSE BARB SIZE
NYLON	PRICE ea.	POLY	PRICE ea.	
3838D	\$1.35	3838DP	\$1.38	3/8"
3812D	\$1.39	3812DP	\$1.42	1/2"
3834D	\$1.74	3834DP	\$1.71	3/4"



## Elbow

Thread 11/16" male UN x hose barb, nut included. Used on the terminating ends of spray boom.

PART #				HOSE BARB SIZE
NYLON	PRICE ea.	POLY	PRICE ea.	
NTL38	\$1.76	NTL38P	\$1.80	3/8"
NTL12	\$1.85	NTL12P	\$1.87	1/2"
NTL34	\$1.93	NTL34P	\$1.96	3/4"



## Cross

Thread 11/16" male UN x hose barb, nut included. Used in the center of boom sections as a main feed line.

PART #				HOSE BARB SIZE
NYLON	PRICE ea.	POLY	PRICE ea.	
T38C	\$1.63	T38CP	\$2.01	3/8"
T12C	\$1.93	T12CP	\$2.07	1/2"
T34C	\$2.04	T34CP	\$2.22	3/4"



## Tee

Thread 11/16" male UN x hose barb, nut included. Used between the main feed lines and termination end of boom sections.

PART #				HOSE BARB SIZE
NYLON	PRICE ea.	POLY	PRICE ea.	
NTT38	\$1.91	NTT38P	\$1.95	3/8"
NTT12	\$1.95	NTT12P	\$1.98	1/2"
NTT34	\$2.37	NTT34P	\$2.40	3/4"







## Spray Tip Blank

Blanks for Boom Drops, used when changing row spacing.

PART #				THREAD
NYLON	PRICE ea.	POLY	PRICE ea.	
8028	\$0.61	8028P	\$0.69	11/16" Female UN



## Male Adapter

Allows 1/4" female boom drops to be converted to accept 11/16" UN swivel cap.

PART #				THREAD
NYLON	PRICE ea.	POLY	PRICE ea.	
NB164	\$0.84	NB164P	\$0.99	11/16" Male UN x 1/4" Male NPT
NB168	\$0.88			11/16" Male UN x 1/8" Male NPT



## Boom Clamp

Boom Clamps fit all nozzle thread fittings in this catalog.

PART #				SIZE
NYLON	PRICE ea.	POLY	PRICE ea.	
B111	\$1.95	B111P	\$2.13	Fits 1" Round or Square Tubing
B11114	\$2.08	B11114P	\$2.28	Fits 1 1/4" Round or Square Tubing



## Female Adapter

Allows 11/16" UN nozzle fittings in this catalog to be converted to accept 1/4" Male NPT flood tips.

PART #				THREAD
NYLON	PRICE ea.	POLY	PRICE ea.	
1116A	\$1.54	1116AP	\$1.57	11/16" Female UN x 1/4" Female NPT



## Swivel Nut

For use with Male Adapter and all nozzle fittings in this catalog. Fastens spray tips to nozzle fittings.

PART #				THREAD
NYLON	PRICE ea.	POLY	PRICE ea.	
8027	\$0.59	8027P	\$0.69	11/16" Female UN
8027W	\$0.89	8027WP	\$0.91	



## Metering Barb

Used to run a line from spray boom to a gauge visible to operate for monitoring boom pressure.

Connects to Male Adapter and all nozzle fittings in this catalog with a 8027 swivel nut.

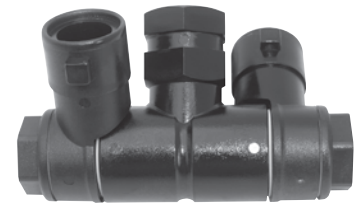
PART #				BARB SIZE
NYLON	PRICE ea.	POLY	PRICE ea.	
K8414	\$0.67	K8414P	\$0.69	1/4"
K8438	\$0.71	K8438P	\$0.72	3/8"
K8412	\$0.75	K8412P	\$0.76	1/2"





## Nozzle Bodies

DESCRIPTION	PART #		PRICE ea.
Swivel nozzle body, nylon	Y8247015	1/4" F	\$21.08



DESCRIPTION	PART #		PRICE ea.
Quick fit adapter, 1/4", nylon, QD adapter	Y8230021	1/4"	\$6.07



DESCRIPTION	PART #		PRICE ea.
Dry boom nozzle body, 3/8", elbow barb	Y8231001	3/8"	\$7.11
Dry boom nozzle body, 1/2", elbow barb	Y8231003	1/2"	\$7.11
Dry boom nozzle body, 3/4", elbow barb	Y8231005	3/4"	\$7.11



DESCRIPTION	PART #		PRICE ea.
Dry boom nozzle body, 3/8", tee barb	Y8231007	3/8"	\$7.11
Dry boom nozzle body, 1/2", tee barb	Y8231009	1/2"	\$7.11
Dry boom nozzle body, 3/4", tee barb	Y8231011	3/4"	\$7.11



DESCRIPTION	PART #		PRICE ea.
Dry boom nozzle body, 3/8", cross barb	Y8231013	3/8"	\$7.11
Dry boom nozzle body, 1/2", cross barb	Y8231015	1/2"	\$7.11
Dry boom nozzle body, 3/4", cross barb	Y8231017	3/4"	\$7.11



### GO GREEN INITIATIVE

The Community Outreach Team & Green Leaf employees host an annual Kid's Festival for our "neighbors".

# BOOM COMPONENTS

DESCRIPTION	PART #		PRICE ea.
Dry boom nozzle body, 3/8", elbow, top diaphragm	Y8235019	3/8"	\$15.40
Dry boom nozzle body, 1/2", elbow, top diaphragm	Y8235021	1/2"	\$15.40
Dry boom nozzle body, 3/4", elbow, top diaphragm	Y8235023	3/4"	\$15.40



DESCRIPTION	PART #		PRICE ea.
Dry boom nozzle body, 3/8", tee, top diaphragm	Y8235025	3/8"	\$15.40
Dry boom nozzle body, 1/2", tee, top diaphragm	Y8235027	1/2"	\$15.40
Dry boom nozzle body, 3/4", tee, top diaphragm	Y8235029	3/4"	\$15.40



DESCRIPTION	PART #		PRICE ea.
Dry boom nozzle body, 3/8", cross barb, side diaphragm	Y8235013	3/8"	\$15.15
Dry boom nozzle body, 1/2", cross barb, side diaphragm	Y8235015	1/2"	\$18.35
Dry boom nozzle body, 3/4", cross barb, side diaphragm	Y8235017	3/4"	\$18.35



DESCRIPTION	PART #		PRICE ea.
1/2" pipe wet boom nozzle body, diaphragm, EPDM, .39"	Y8234007	1/2"	\$13.73
3/4" pipe wet boom nozzle body, diaphragm, EPDM, .39"	Y8234009	3/4"	\$15.98
1" pipe wet boom nozzle body, diaphragm, EPDM, .39"	Y8234051	1"	\$16.01



DESCRIPTION	PART #		PRICE ea.
Rotary nozzle body, 3 way, diaphragm right, wet boom, EPDM, .39" port	Y8244138	1"	\$35.53



DESCRIPTION	PART #		PRICE ea.
Single hose barb for Rotary to dry boom, 1/2", for .41" port	Y8294014	1/2"	\$2.68
Single hose barb for Rotary to dry boom, 3/4", for .41" port	Y8294015	3/4"	\$2.68
Single hose barb for Rotary to dry boom, 3/4" Hose ID, 1" Pipe OD, for .41" port	Y8294028	3/4"	\$3.42
Single hose barb for Rotary to dry boom, 1", for .41" port	Y8294029	1"	\$3.42



DESCRIPTION	PART #		PRICE ea.
Double hose barb for Rotary to dry boom, 1/2", for .41" port	Y8294017	1/2"	\$2.68
Double hose barb for Rotary to dry boom, 3/4", for .41" port	Y8294018	3/4"	\$2.68
Double hose barb for Rotary to dry boom, 3/4" Hose ID, 1" Pipe OD, for .41" port	Y8294030	3/4"	\$3.42
Double hose barb for Rotary to dry boom, 1", for .41" port	Y8294031	1"	\$3.42





**Y8253040**



**Y8253050**



**YG00002020**

**Winged Bayonet Caps**

DESCRIPTION	PART #	PRICE ea.	
Winged bayonet caps, ID, IS, DF, FL, 10 mm across flats	Y8253049	black	\$2.18
Winged bayonet caps, TR, ITR, poly FT, round	Y8253050	black	\$2.18
Winged bayonet caps, poly FT self aligning	Y8253051	black	\$2.18
Winged bayonet caps, closed	Y8253040	black	\$2.18
Winged bayonet caps, 8 mm/10 mm Universal	Y8253080	black	\$2.18
Replacement W B Cap gaskets	YG00002020	black	\$2.18



**Y8139002**



**Y8139003**



**Y8139011**

**Spray Tip Filters**

DESCRIPTION	PART #	PRICE ea.	
Nozzle filters, poly, stainless screen, 50 mesh	Y8139002	blue	\$2.24
Nozzle filters, poly, stainless screen, 100 mesh	Y8139003	green	\$2.24
Nozzle filters, poly, 50 mesh, stainless screen, w/ check valve	Y8139004	blue	\$2.62
Nozzle filters, poly, 100 mesh, stainless screen, w/ check valve	Y8139005	green	\$2.62

Nozzle filters, brass, 50 mesh, stainless screen, w/ check valve	Y8139009	brass	\$9.11
Nozzle filters, brass, 100 mesh, stainless screen, w/ check valve	Y8139010	brass	\$9.11
Nozzle filters, brass, stainless screen, 50 mesh	Y8139011	brass	\$8.01
Nozzle filters, brass, stainless screen, 100 mesh	Y8139012	brass	\$8.01



## Pressure Gauges

### Standard Gauge

PART #	DESCRIPTION	PRICE ea.
SG060	Standard Gauge, 60 PSI	\$12.13
SG100	Standard Gauge, 100 PSI	\$12.13
SG200	Standard Gauge, 200 PSI	\$12.13
SG400	Standard Gauge, 400 PSI	\$12.13
SG1004	4" Standard Gauge, 100 PSI	\$32.61

### Liquid Gauge

PART #	DESCRIPTION	PRICE ea.
LG100	2-1/2" Liquid Filled, 100 PSI	\$24.89
LG200	2-1/2" Liquid Filled, 200 PSI	\$24.89

### Ammonia Gauge

PART #	DESCRIPTION	PRICE ea.
AG060	2-1/2" Ammonia, 60 PSI	\$25.52



## Steel Boom Clamps

### Standard Clamps-Round

PART #	DESCRIPTION	PRICE ea.
B1134R	3/4"	\$4.88
B111R	1"	\$4.88

### Standard Clamps-Square

PART #	DESCRIPTION	PRICE ea.
B111SQ	1"	\$4.88
B11114SQ	1-1/4"	\$4.88

### Quick Clamps-Round

PART #	DESCRIPTION	PRICE ea.
BQ1134R	3/4"	\$6.86
BQ111R	1"	\$6.86
BQ11114R	1-1/4"	\$6.86

### Quick Clamps-Square

PART #	DESCRIPTION	PRICE ea.
BQ1134SQ	3/4"	\$6.86
BQ111SQ	1"	\$6.86
BQ11114SQ	1-1/4"	\$7.05
BQ11112SQ	1-1/2"	\$6.86

## 2-Way Solenoid Valves

### Large Solenoid Valve

12-Volt DC Electric Boom Shutoff Valves have a 3/4" NPT Female inlet, 3/4" NPT male bypass outlet and a 1/2" NPT female boom outlet. This direct operating valve is designed for 100 PSI maximum operating pressure and 10GPM. (only 5 PSI pressure is lost @ 10 GPM)

- Draws 2 amps per valve at 12 volts.
- Viton seals and o-rings.
- Wetted parts are made of 430 SS and glass filled nylon.

PART #	DESCRIPTION	PRICE ea.
2500B1	Solenoid Shutoff Valve, Single	\$243.69
2352	Repair Kit for 2500B-1 Solenoid Valve	\$66.60



### Manual Valve

2750 Manual Valve  
This manual valve has a 3/4" NPT male and female inlet and bypass and a 1/2" NPT female boom outlet.

- 0-10 GPM, 175 PSI
- Viton Seals and o-rings.
- Wetted parts are made of 302 SS and glass filled nylon.

*\*The 2750 is a manual valve with a 1/4" NPT pump pressure point that needs to be drilled to function.*

PART #	DESCRIPTION	PRICE ea.
2750	Manual Shutoff Valve	\$173.05

## Wiring Harnesses

- 96" wiring harness with on/off switch & 2-pin connector
- 12 volt

PART #	DESCRIPTION	PRICE ea.
WH101CA	12V with car adapter connection 7 amp tube fuse — 20 gauge wire	\$13.22
WH102BC	12V with 15 amp battery clips no fuse — 20 gauge wire	\$13.21
WH104	12V with car adapter & 15 amp battery clip 7 amp blade fuse — 18 gauge wire	\$28.44
WH105	12V with car adapter & 15 amp battery clip 15 amp mini blade fuse — 16 gauge wire	\$32.07
WH96EX	12V - 96" Wiring Harness Extension 18 gauge wire	\$18.80





## Suction Filters



DESCRIPTION	PART #	PRICE ea.
Suction Filter for detergents; 3/8" barb	600146	\$2.52



## Hose Drop

DESCRIPTION	PART #	PRICE ea.
Hose Drop Tube Assembly; 15"; Bayonet Connection	Y8251000	\$23.41
Hose Drop Tube Assembly; 24"; Bayonet Connection	Y8251002	\$23.59



## 18" Deluxe Pistol Grip Spray Gun

- Heavy Duty Construction
- Working pressure up to 300 PSI
- #18 Adjustable Brass Pattern Tip
- Suggested Usage: Applying Insecticides and Herbicides
- Ideal For Use With ATV Sprayers, Spot Sprayers, and Trailer Sprayers

PART #	PRICE ea.
600147	\$55.47



## Spot Spray Gun

- Spray Gun with #18 orifice
- 18" overall length
- 3/8" hose barb connection
- Filter in handle
- Working pressure 200 PSI

PART #	PRICE ea.
600227	\$26.57



## **European Leader in Spray Tip Technology**

Paul Lechler founded Lechler GmbH in 1879 as a specialty industrial supplier in Stuttgart, Germany. By the 1890's Lechler had acquired specialized nozzle technology & became a manufacturer.

In the 1970's, Lechler made its entry into the North American market when it formed a relationship with Spraco, a long-established nozzle manufacturer in the United States. In 1987, Spraco became Lechler, Inc., which serves North America & is the second largest sales & manufacturing company in the Lechler Group of international companies.

Today, Lechler is still owned by the Lechler family & has facilities worldwide.

The Lechler Group has been the market leader in Europe for spray products, & as a whole, the Lechler Group is one of the largest manufacturers of spray nozzles, engineered systems, & accessories in the world. Lechler products are used for applications in manufacturing, environmental engineering & agriculture.

### **Precision Spray Nozzles & Engineered Solutions**

Lechler products & services have developed a well-earned reputation for superior quality based on concurrent engineering, well-defined processes, skilled & experienced workforce, state-of-the-art facilities & equipment & the firm desire to continually improve our operations in a search for best practices to exceed requirements.

### **Lechler is committed to provide QUALITY – FIRST TIME, EVERY TIME.**

Lechler partnered with Green Leaf Inc in 2007 as the North American distributor for Lechler Ag nozzles. Green Leaf, a US manufacturer, is a known leader in the agricultural industry for providing high quality fluid flow components. Green Leaf has a full range of ball valves, cam lever couplers, & various fittings sold worldwide.

Together, with over 150 years of experience & combined knowledge to draw from, Lechler & Green Leaf, provide solutions to your spray nozzle & engineered service needs.



## Air-induction flat spray compact nozzles IDK

	ASABE S 572.1 Droplet Size	PSI	Capacity 1 nozzle in GPM	Capacity 1 nozzle in oz./min.								
					5 mph	6 mph	7 mph	8 mph	10 mph	12 mph	14 mph	16 mph
Orange IDK 110-01 (50/100 M)	VC	15	0.061	8	3.6	3	2.6	2.3	1.8	1.5	1.3	1.1
	VC	20	0.071	9	4.2	3.5	3	2.6	2.1	1.8	1.5	1.3
	C	30	0.087	11	5.2	4.3	3.7	3.2	2.6	2.2	1.8	1.6
	C	35	0.094	12	5.6	4.7	4	3.5	2.8	2.3	2	1.7
	C	40	0.1	13	5.9	5	4.2	3.7	3	2.5	2.1	1.9
	M	50	0.11	14	6.5	5.4	4.7	4.1	3.3	2.7	2.3	2
Green IDK 110-015 (50/100 M)	M	60	0.12	15	7.1	5.9	5.1	4.5	3.6	3	2.5	2.2
	VC	30	0.13	17	7.7	6.4	5.5	4.8	3.9	3.2	2.8	2.4
	C	40	0.15	19	8.9	7.4	6.4	5.6	4.5	3.7	3.2	2.8
	C	50	0.17	22	10.1	8.4	7.2	6.3	5	4.2	3.6	3.2
	M	60	0.18	23	10.7	8.9	7.6	6.7	5.3	4.5	3.8	3.3
	M	70	0.2	26	11.9	9.9	8.5	7.4	5.9	5	4.2	3.7
Yellow IDK 110-02 (50/100 M)	M	80	0.21	27	12.5	10.4	8.9	7.8	6.2	5.2	4.5	3.9
	M	90	0.23	29	13.7	11.4	9.8	8.5	6.8	5.7	4.9	4.3
	VC	30	0.17	22	10.1	8.4	7.2	6.3	5	4.2	3.6	3.2
	C	40	0.2	26	11.9	9.9	8.5	7.4	5.9	5	4.2	3.7
	C	50	0.22	28	13.1	10.9	9.3	8.2	6.5	5.4	4.7	4.1
	C	60	0.24	31	14.3	11.9	10.2	8.9	7.1	5.9	5.1	4.5
Violet IDK 110-025 (50 M)	M	70	0.26	33	15.4	12.9	11	9.7	7.7	6.4	5.5	4.8
	M	80	0.28	36	16.6	13.9	11.9	10.4	8.3	6.9	5.9	5.2
	M	90	0.3	38	17.8	14.9	12.7	11.1	8.9	7.4	6.4	5.6
	VC	30	0.22	28	13.1	10.9	9.3	8.2	6.5	5.4	4.7	4.1
	VC	40	0.25	32	14.9	12.4	10.6	9.3	7.4	6.2	5.3	4.6
	C	50	0.28	36	16.6	13.9	11.9	10.4	8.3	6.9	5.9	5.2
Blue IDK 110-03 (50 M)	C	60	0.31	40	18.4	15.3	13.2	11.5	9.2	7.7	6.6	5.8
	C	70	0.33	42	19.6	16.3	14	12.3	9.8	8.2	7	6.1
	M	80	0.35	45	21	17.3	14.9	13	10.4	8.7	7.4	6.5
	M	90	0.38	49	23	18.8	16.1	14.1	11.3	9.4	8.1	7.1
	VC	30	0.26	33	15.4	12.9	11	9.7	7.7	6.4	5.5	4.8
	VC	40	0.3	38	17.8	14.9	12.7	11.1	8.9	7.4	6.4	5.6
Red IDK 110-04 (50 M)	C	50	0.34	44	20	16.8	14.4	12.6	10.1	8.4	7.2	6.3
	C	60	0.37	47	22	18.3	15.7	13.7	11	9.2	7.8	6.9
	C	70	0.4	51	24	19.8	17	14.9	11.9	9.9	8.5	7.4
	M	80	0.42	54	25	21	17.8	15.6	12.5	10.4	8.9	7.8
	M	90	0.45	58	27	22	19.1	16.7	13.4	11.1	9.5	8.4
	XC	30	0.35	45	21	17.3	14.9	13	10.4	8.7	7.4	6.4
Brown IDK 110-05 (50 M)	VC	40	0.4	51	24	19.8	17	14.9	11.9	9.9	8.5	7.4
	VC	50	0.45	58	27	22	19.1	16.7	13.4	11.1	9.5	8.4
	C	60	0.49	63	29	24	21	18.2	14.6	12.1	10.4	9.1
	C	70	0.53	68	31	26	22	19.7	15.7	13.1	11.2	9.8
	C	80	0.57	73	34	28	24	21	16.9	14.1	12.1	10.6
	C	90	0.6	77	36	30	25	22	17.8	14.9	12.7	11.1
Gray IDK 110-06 (50 M)	VC	30	0.43	55	26	21	18.2	16	12.8	10.6	9.1	8
	VC	40	0.5	64	30	25	21	18.6	14.9	12.4	10.6	9.3
	VC	50	0.56	72	33	28	24	21	16.6	13.9	11.9	10.4
	VC	60	0.61	78	36	30	26	23	18.1	15.1	12.9	11.3
	C	70	0.66	84	39	33	28	25	19.6	16.3	14	12.3
	C	80	0.71	91	42	35	30	26	21	17.6	15.1	13.2
Orange IDK 110-07 (50 M)	C	90	0.75	96	45	37	32	28	22	18.6	15.9	13.9
	XC	30	0.52	67	31	26	22	19.3	15.4	12.9	11	9.7
	XC	40	0.6	77	36	30	25	22	17.8	14.9	12.7	11.1
	XC	50	0.67	86	40	33	28	25	19.9	16.6	14.2	12.4
	VC	60	0.73	93	43	36	31	27	22	18.1	15.5	13.6
	VC	70	0.79	101	47	39	34	29	23	19.6	16.8	14.7
Orange IDK 110-08 (50 M)	C	80	0.85	109	50	42	36	32	25	21	18	15.8
	C	90	0.9	115	53	45	38	33	27	22	19.1	16.7



- G 1661
- G 1662
- G 1663
- G 1683
- G 1718
- G 1799
- G 1800
- G 1801
- G 1802
- G 1936

IDK

\* IDKN-characteristic: body with white stripe

- Crop production
- Ground care

POM	List Price ea.
IDK Series	\$13.50
CERAMIC	List Price ea.
IDKC Series	\$35.14





# Multirange flat spray nozzles LU

	ASABE S 572.1 Droplet Size	PSI	Capacity 1 nozzle in GPM	Capacity 1 nozzle in oz./min.	GALLONS/ACRE							
					4 mph	5 mph	6 mph	7 mph	8 mph	10 mph	12 mph	14 mph
Orange LU 80-01 110-01 (50/100 M)	F	15	0.061	8	4.5	3.6	3	2.6	2.3	1.8	1.5	1.3
	F	20	0.071	9	5.3	4.2	3.5	3	2.6	2.1	1.8	1.5
	F	30	0.087	11	6.5	5.2	4.3	3.7	3.2	2.6	2.2	1.8
	F	40	0.1	13	7.4	5.9	5	4.2	3.7	3	2.5	2.1
	F	50	0.11	14	8.2	6.5	5.4	4.7	4.1	3.3	2.7	2.3
F	60	0.12	15	8.9	7.1	5.9	5.1	4.5	3.6	3	2.5	
Green LU 80-015 110-015 (50/100 M)	F	15	0.092	12	6.8	5.5	4.6	3.9	3.4	2.7	2.3	2
	F	20	0.11	14	8.2	6.5	5.4	4.7	4.1	3.3	2.7	2.3
	F	30	0.13	17	9.7	7.7	6.4	5.5	4.8	3.9	3.2	2.8
	F	40	0.15	19	11.1	8.9	7.4	6.4	5.6	4.5	3.7	3.2
	F	50	0.17	22	12.6	10.1	8.4	7.2	6.3	5	4.2	3.6
F	60	0.18	23	13.4	10.7	8.9	7.6	6.7	5.3	4.5	3.8	
M	15	0.12	15	8.9	7.1	5.9	5.1	4.5	3.6	3	2.5	
Yellow LU 80-02 110-02 (50/100 M)	F	20	0.14	18	10.4	8.3	6.9	5.9	5.2	4.2	3.5	3
	F	30	0.17	22	12.6	10.1	8.4	7.2	6.3	5	4.2	3.6
	F	40	0.2	26	14.9	11.9	9.9	8.5	7.4	5.9	5	4.2
	F	50	0.22	28	16.3	13.1	10.9	9.3	8.2	6.5	5.4	4.7
	F	60	0.24	31	17.8	14.3	11.9	10.2	8.9	7.1	5.9	5.1
M	15	0.15	19	11.1	8.9	7.4	6.5	5.6	4.5	3.7	3.3	
Violet LU 80-025 110-025 (50 M)	M	20	0.18	23	13.4	10.7	8.9	7.7	6.7	5.3	4.5	3.9
	M	30	0.22	28	16.3	13.1	10.9	9.3	8.2	6.5	5.4	4.7
	M	40	0.25	32	18.6	14.9	12.4	10.6	9.3	7.4	6.2	5.3
	F	50	0.28	36	21.0	16.6	13.9	11.9	10.4	8.3	6.9	5.9
	F	60	0.31	40	23.0	18.4	15.3	13.2	11.5	9.2	7.7	6.6
Blue LU 80-03 110-03 (50 M)	M	15	0.18	23	13.4	10.7	8.9	7.6	6.7	5.3	4.5	3.8
	M	20	0.21	27	15.6	12.5	10.4	8.9	7.8	6.2	5.2	4.5
	M	30	0.26	33	19.3	15.4	12.9	11	9.7	7.7	6.4	5.5
	F	40	0.3	38	22	17.8	14.9	12.7	11.1	8.9	7.4	6.4
	F	50	0.34	44	25	20	16.8	14.4	12.6	10.1	8.4	7.2
F	60	0.37	47	27	22	18.3	15.7	13.7	11	9.2	7.8	
Red LU 80-04 110-04 (50 M)	M	15	0.24	31	18	14.3	11.9	10.2	8.9	7.1	5.9	5.1
	M	20	0.28	36	21	16.6	13.9	11.9	10.4	8.3	6.9	5.9
	M	30	0.35	45	26	21	17.3	14.9	13	10.4	8.7	7.4
	M	40	0.4	51	30	24	19.8	17	14.9	11.9	9.9	8.5
	M	50	0.45	58	33	27	22	19.1	16.7	13.4	11.1	9.5
M	60	0.49	63	36	29	24	21	18.2	14.6	12.1	10.4	
Brown LU 80-05 110-05 (50 M)	M	15	0.31	40	23	18.4	15.3	13.2	11.5	9.2	7.7	6.6
	M	20	0.35	45	26	21	17.3	14.9	13	10.4	8.7	7.4
	M	30	0.43	55	32	26	21	18.2	16	12.8	10.6	9.1
	M	40	0.5	64	37	30	25	21	18.6	14.9	12.4	10.6
	M	50	0.56	72	42	33	28	24	21	16.6	13.9	11.9
M	60	0.61	78	45	36	30	26	23	18.1	15.1	12.9	
Gray LU 80-06 110-06 (50 M)	C	15	0.37	47	27	22	18.3	15.7	13.7	11	9.2	7.8
	C	20	0.42	54	31	25	21	17.8	15.6	12.5	10.4	8.9
	M	30	0.52	67	39	31	26	22	19.3	15.4	12.9	11
	M	40	0.6	77	45	36	30	25	22	17.8	14.9	12.7
	M	50	0.67	86	50	40	33	28	25	19.9	16.6	14.2
M	60	0.73	93	54	43	36	31	27	22	18.1	15.5	
White LU 80-08 110-08 (50 M)	VC	15	0.49	63	36	29	24	21	18.2	14.6	12.1	10.4
	C	20	0.57	73	42	34	28	24	21	16.9	14.1	12.1
	C	30	0.69	88	51	41	34	29	26	20	17.1	14.6
	C	40	0.8	102	59	48	40	34	30	24	19.8	17
	C	50	0.89	114	66	53	44	38	33	26	22	18.9
M	60	0.98	125	73	58	49	42	36	29	24	21	



G 1240  
G 1242  
G 1524  
G 1596  
G 1597

LU-C

Crop production Ground care

	List Price ea.
POM LU Series	\$3.62
CERAMIC LUC Series	\$11.58
STAINLESS STEEL LUS Series	\$9.81



## Standard flat spray nozzles ST / SC



POM		List Price
ST Series		ea. \$1.64
CERAMIC		List Price
SC Series		ea. \$4.30

	PSI	Capacity 1 nozzle in GPM	Capacity 1 nozzle in oz./min.	GALLONS/ACRE							
				4 mph	5 mph	6 mph	7 mph	8 mph	9 mph	10 mph	12 mph
<b>Orange</b> ST 80-01 110-01 (50/100 M)	30	0.09	11.0	6.5	5.2	4.3	3.7	3.2	2.9	2.6	2.2
	40	0.10	13.0	7.4	5.9	5.0	4.2	3.7	3.3	3.0	2.5
	50	0.11	14.0	8.2	6.5	5.4	4.7	4.1	3.6	3.3	2.7
	60	0.12	15.0	8.9	7.1	5.9	5.1	4.5	4.0	3.6	3.0
	75	0.14	17.0	10.1	8.0	6.7	5.8	5.1	4.5	4.1	3.4
<b>Green</b> ST 80-015 110-015 (50/100 M)	30	0.13	17.0	9.7	7.7	6.4	5.5	4.8	4.3	3.9	3.2
	40	0.15	19.0	11.1	8.9	7.4	6.4	5.6	5.0	4.5	3.7
	50	0.17	22.0	12.6	10.1	8.4	7.2	6.3	5.6	5.0	4.2
	60	0.18	23.0	13.4	10.7	8.9	7.6	6.7	5.9	5.3	4.5
	75	0.20	25.7	15.0	12.0	9.9	8.5	7.5	6.6	5.9	5.0
<b>Yellow</b> ST 80-02 110-02 (50/100 M)	30	0.17	22.0	12.6	10.1	8.4	7.2	6.3	5.6	5.0	4.2
	40	0.20	26.0	14.9	11.9	9.9	8.5	7.4	6.6	5.9	5.0
	50	0.22	28.0	16.3	13.1	10.9	9.3	8.2	7.3	6.5	5.4
	60	0.24	31.0	17.8	14.3	11.9	10.2	8.9	7.9	7.1	5.9
	75	0.27	34.8	20.0	16.1	13.4	11.5	10.0	8.9	8.0	6.6
<b>Violet</b> SC 110-025 (50 M)	30	0.22	27.5	16.0	13.0	10.5	9.1	8.0	7.1	6.4	5.3
	40	0.25	32.0	18.5	15.0	12.5	10.5	9.3	8.2	7.4	6.2
	50	0.28	36.0	21.0	16.5	14.0	12.0	10.5	9.3	8.3	6.9
	60	0.31	39.0	22.5	18.0	15.0	13.0	11.5	10.0	9.1	7.6
	75	0.33	43.0	24.8	19.9	16.5	14.4	12.7	11.0	10.0	8.3
<b>Blue</b> SC/ST 80-03 110-03 (50 M)	30	0.26	33.0	19.3	15.4	12.9	11.0	9.7	8.6	7.7	6.4
	40	0.30	38.0	22.0	17.8	14.9	12.7	11.1	9.9	8.9	7.4
	50	0.34	44.0	25.0	20.0	16.8	14.4	12.6	11.2	10.1	8.4
	60	0.37	47.0	27.0	22.0	18.3	15.7	13.7	12.2	11.0	9.2
	75	0.42	52.9	30.4	24.8	20.6	17.7	15.4	13.7	12.4	10.4
<b>Red</b> SC/ST 80-04 110-04 (50 M)	30	0.35	45.0	26.0	21.0	17.3	14.9	13.0	11.6	10.4	8.7
	40	0.40	51.0	30.0	24.0	19.8	17.0	14.8	13.2	11.9	9.9
	50	0.45	58.0	33.0	27.0	22.0	19.1	16.7	14.9	13.4	11.1
	60	0.49	63.0	36.0	29.0	24.0	21.0	18.2	16.2	14.6	12.1
	75	0.55	70.7	40.4	32.6	27.0	23.6	20.4	18.2	16.4	13.6
<b>Brown</b> SC/ST 80-05 110-05 (50 M)	30	0.43	55.0	32.0	26.0	21.0	18.2	16.0	14.2	12.8	10.6
	40	0.50	64.0	37.0	30.0	25.0	21.0	18.6	16.5	14.9	12.4
	50	0.56	72.0	42.0	33.0	28.0	24.0	21.0	18.5	16.6	13.9
	60	0.61	78.0	45.0	36.0	30.0	26.0	23.0	20.0	18.1	15.1
	75	0.67	86.0	49.6	39.7	33.1	28.7	25.4	22.1	20.0	16.7
<b>Gray ST</b> 80-06 110-06 (50 M)	30	0.52	67.0	39.0	31.0	26.0	22.0	19.3	17.2	15.4	12.9
	40	0.6	77.0	45.0	36.0	30.0	25.0	22.0	19.8	17.8	14.9
	50	0.67	86.0	50.0	40.0	33.0	28.0	25.0	22.0	19.9	16.6
	60	0.73	93.0	54.0	43.0	36.0	31.0	27.0	24.0	22.0	18.1
	75	0.82	104.1	60.4	48.1	40.3	34.7	30.2	26.9	24.6	20.3
<b>White</b> ST 80-08 110-08 (50 M)	30	0.69	88.0	51.0	41.0	34.0	29.0	26.0	23.0	20.0	17.1
	40	0.80	102.0	59.0	48.0	40.0	34.0	30.0	26.0	24.0	19.8
	50	0.89	114.0	66.0	53.0	44.0	38.0	33.0	29.0	26.0	22.0
	60	0.98	125.0	73.0	58.0	49.0	42.0	36.0	32.0	29.0	24.0
	75	1.09	140.0	81.8	65.0	54.9	47.0	40.3	35.8	32.5	26.9





# Asymmetrical twin flat spray air-induction nozzles IDTA

**PATENTED**

	PSI	ASABE S 572.1 Droplet Size	Capacity 1 nozzle in GPM	Capacity 1 nozzle in oz./min.	5 mph	6 mph	7 mph	8 mph	9 mph	10 mph	12 mph	14 mph	16 mph	18 mph
Yellow 120-02 (50/100 M)	15	UC	0.12	15	7.1	5.9	5.1	4.5	4.0	3.6	3.0	2.5	2.2	2.0
	20	UC	0.14	18	8.3	6.9	5.9	5.2	4.6	4.2	3.5	3.0	2.6	2.3
	30	XC	0.17	22	10.1	8.4	7.2	6.3	5.6	5.0	4.2	3.6	3.2	2.8
	40	XC	0.20	26	11.9	9.9	8.5	7.4	6.6	5.9	5.0	4.2	3.7	3.3
	50	VC	0.22	28	13.1	10.9	9.3	8.2	7.3	6.5	5.4	4.7	4.1	3.6
	60	VC	0.24	31	14.3	11.9	10.2	8.9	7.9	7.1	5.9	5.1	4.5	4.0
	70	VC	0.26	33	15.4	12.9	11.0	9.7	8.6	7.7	6.4	5.5	4.8	4.3
	80	C	0.28	36	16.6	13.9	11.9	10.4	9.2	8.3	6.9	5.9	5.2	4.6
	90	C	0.30	38	17.8	14.9	12.7	11.1	9.9	8.9	7.4	6.4	5.6	5.0
	100	C	0.32	41	19.0	15.8	13.6	11.9	10.6	9.5	7.9	6.8	5.9	5.3
Violet 120-025 (50/100 M)	15	UC	0.15	19	8.9	7.4	6.5	5.6	4.9	4.5	3.7	3.3	2.8	2.5
	20	UC	0.18	23	10.7	8.9	7.7	6.7	5.9	5.3	4.5	3.9	3.4	2.9
	30	UC	0.22	28	13.1	10.9	9.3	8.2	7.3	6.5	5.4	4.7	4.1	3.6
	40	XC	0.25	32	14.9	12.4	10.6	9.3	8.3	7.4	6.2	5.3	4.6	4.1
	50	XC	0.28	36	16.6	13.9	11.9	10.4	9.2	8.3	6.9	5.9	5.2	4.6
	60	VC	0.31	40	18.4	15.3	13.2	11.5	10.2	9.2	7.7	6.6	5.8	5.1
	70	VC	0.33	42	19.6	16.3	14.0	12.3	10.9	9.8	8.2	7.0	6.1	5.4
	80	VC	0.35	45	21.0	17.3	14.9	13.0	11.6	10.4	8.7	7.4	6.5	5.8
	90	C	0.38	49	23.0	18.8	16.1	14.1	12.5	11.3	9.4	8.1	7.1	6.3
	100	C	0.40	51	24.0	19.8	17.0	14.9	13.2	11.9	9.9	8.5	7.4	6.6
Blue 120-03 (50 M)	15	UC	0.18	23	10.7	8.9	7.6	6.7	5.9	5.3	4.5	3.9	3.3	3.0
	20	UC	0.21	27	12.5	10.4	8.9	7.8	6.9	6.2	5.2	4.5	3.9	3.5
	30	XC	0.26	33	15.4	12.9	11.0	9.7	8.6	7.7	6.4	5.5	4.8	4.3
	40	XC	0.30	38	17.8	14.9	12.7	11.1	9.9	8.9	7.4	6.4	5.6	5.0
	50	VC	0.34	44	20.0	16.8	14.4	12.6	11.2	10.1	8.4	7.2	6.3	5.6
	60	VC	0.37	47	22.0	18.3	15.7	13.7	12.2	11.0	9.2	7.8	6.9	6.1
	70	VC	0.40	51	24.0	19.8	17.0	14.9	13.2	11.9	9.9	8.5	7.4	6.6
	80	C	0.42	54	25.0	21.0	17.8	15.6	13.9	12.5	10.4	8.9	7.8	6.9
	90	C	0.45	58	27.0	22.0	19.1	16.7	14.9	13.4	11.1	9.5	8.4	7.4
	100	C	0.47	60	28.0	23.0	19.9	17.4	15.5	14.0	11.6	10.0	8.7	7.8
Red 120-04 (50 M)	15	UC	0.24	31	14.3	11.9	10.2	8.9	7.9	7.1	5.9	5.1	4.5	4.0
	20	UC	0.28	36	16.6	13.9	11.9	10.4	9.2	8.3	6.9	5.9	5.2	4.6
	30	XC	0.35	45	21.0	17.3	14.9	13.0	11.6	10.4	8.7	7.4	6.4	5.8
	40	XC	0.40	51	24.0	19.8	17.0	14.9	13.2	11.9	9.9	8.5	7.4	6.6
	50	XC	0.45	58	27.0	22.0	19.1	16.7	14.9	13.4	11.1	9.5	8.4	7.4
	60	VC	0.49	63	29.0	24.0	21.0	18.2	16.2	14.6	12.1	10.4	9.1	8.1
	70	VC	0.53	68	31.0	26.0	22.0	19.7	17.5	15.7	13.1	11.2	9.8	8.7
	80	C	0.57	73	34.0	28.0	24.0	21.0	18.8	16.9	14.1	12.1	10.6	9.4
	90	C	0.60	77	36.0	30.0	25.0	22.0	19.6	17.8	14.9	12.7	11.1	9.9
	100	C	0.63	81	37.0	31.0	27.0	23.0	21.0	18.7	15.6	13.4	11.7	10.4
Brown 120-05 (50 M)	15	UC	0.31	40	18.4	15.3	13.2	11.5	10.2	9.2	7.7	6.6	5.8	5.1
	20	XC	0.35	45	21.0	17.3	14.9	13.0	11.6	10.4	8.7	7.4	6.5	5.8
	30	XC	0.43	55	26.0	21.0	18.2	16.0	14.2	12.8	10.6	9.1	8.0	7.1
	40	XC	0.50	64	30.0	25.0	21.0	18.6	16.5	14.9	12.4	10.6	9.3	8.3
	50	VC	0.56	72	33.0	28.0	24.0	21.0	18.5	16.6	13.9	11.9	10.4	9.2
	60	VC	0.61	78	36.0	30.0	26.0	23.0	20.0	18.1	15.1	12.9	11.3	10.1
	70	C	0.65	84	39.0	33.0	28.0	25.0	22.0	19.6	16.3	14.0	12.3	10.9
	80	C	0.71	91	42.0	35.0	30.0	26.0	23.0	21.0	17.6	15.1	13.2	11.7
	90	C	0.75	96	45.0	37.0	32.0	28.0	25.0	22.0	18.6	15.9	13.9	12.4
	100	C	0.79	101	47.0	39.0	34.0	29.0	26.0	23.0	19.6	16.8	14.7	13.0
Gray 120-06 (50 M)	15	UC	0.37	47	22.0	18.3	15.7	13.7	12.2	11.0	9.2	7.8	6.9	6.1
	20	XC	0.42	54	25.0	21.0	17.8	15.6	13.9	12.5	10.4	8.9	7.8	6.9
	30	XC	0.52	67	31.0	26.0	22.0	19.3	17.2	15.4	12.9	11.0	9.7	8.6
	40	VC	0.60	77	36.0	30.0	25.0	22.0	19.8	17.8	14.9	12.7	11.1	9.9
	50	VC	0.67	86	40.0	33.0	28.0	25.0	22.0	19.9	16.6	14.2	12.4	11.1
	60	VC	0.73	93	43.0	36.0	31.0	27.0	24.0	22.0	18.1	15.5	13.6	12.0
	70	C	0.79	101	47.0	39.0	34.0	29.0	26.0	23.0	19.6	16.8	14.7	13.0
	80	C	0.85	109	50.0	42.0	36.0	32.0	28.0	25.0	21.0	18.0	15.8	14.0
	90	M	0.90	115	53.0	45.0	38.0	33.0	30.0	27.0	22.0	19.1	16.7	14.9
	100	M	0.95	122	56.0	47.0	40.0	35.0	31.0	28.0	24.0	20.0	17.6	15.7
White 120-08 (50 M)	15	UC	0.49	63	29.0	24.0	21.0	18.2	16.2	14.6	12.1	10.4	9.1	8.1
	20	XC	0.57	73	34.0	28.0	24.0	21.0	18.8	16.9	14.1	12.1	10.6	9.4
	30	XC	0.70	90	42.0	34.6	29.8	26.0	23.2	20.8	17.4	14.8	12.8	11.6
	40	VC	0.80	102	48.0	39.6	34.0	29.8	26.4	23.8	19.8	17.0	14.8	13.2
	50	VC	0.90	116	54.0	44.0	38.2	33.4	29.8	26.8	22.2	19.0	16.8	14.8
	60	VC	0.98	126	58.0	48.0	42.0	36.4	32.4	29.2	24.2	20.8	18.2	16.2
	70	C	1.06	136	62.0	52.0	44.0	39.4	35.0	31.4	26.2	22.4	19.6	17.4
	80	C	1.14	146	68.0	56.0	48.0	42.0	37.6	33.8	28.2	24.2	21.2	18.8
	90	C	1.20	154	72.0	60.0	50.0	44.0	39.6	35.6	29.8	25.4	22.2	19.8
	100	C	1.26	162	74.0	62.0	54.0	46.0	42.0	37.4	31.2	26.8	23.4	20.8



Twin Asymmetric Full Coverage

**NEW**



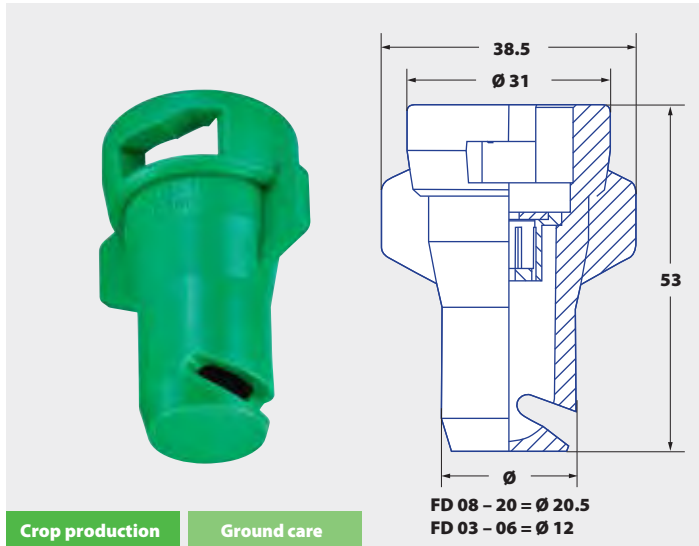
Crop production

Ground care

POM	List Price ea.
IDTA Series	\$73.00



## Liquid fertilizer nozzles FD



**PATENTED**

POM

List Price  
ea.

FD Series

\$30.24

Crop production

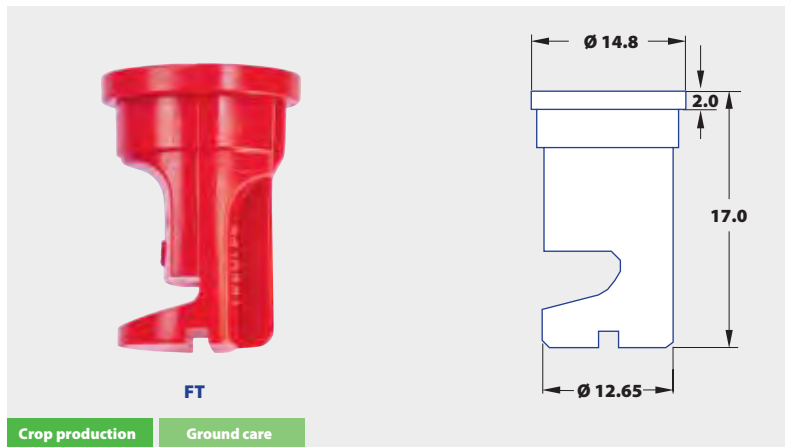
Ground care

	PSI	Capacity 1 nozzle in GPM	Capacity 1 nozzle in oz./min.	5 mph	6 mph	8 mph	10 mph	12 mph	14 mph	16 mph	18 mph
<b>FD 03</b> Dark Blue (50 M)	20	0.21	27	12.5	10.4	7.8	6.2	5.2	4.5	3.9	3.5
	30	0.26	33	15.4	12.9	9.7	7.7	6.4	5.5	4.8	4.3
	40	0.30	38	17.8	14.9	11.1	8.9	7.4	6.4	5.6	5.0
	50	0.34	44	20.0	16.8	12.6	10.1	8.4	7.2	6.3	5.6
	60	0.37	47	22.0	18.3	13.7	11.0	9.2	7.8	6.9	6.1
<b>FD 04</b> Red (50 M)	20	0.28	36	16.6	13.9	10.4	8.3	6.9	5.9	5.2	4.6
	30	0.35	45	21.0	17.3	13.0	10.4	8.7	7.4	6.4	5.8
	40	0.40	51	24.0	19.8	14.9	11.9	9.9	8.5	7.4	6.6
	50	0.45	58	27.0	22.0	16.7	13.4	11.1	9.5	8.4	7.4
	60	0.49	63	29.0	24.0	18.2	14.6	12.1	10.4	9.1	8.1
<b>FD 05</b> Brown (50 M)	20	0.35	45	21.0	17.3	13.0	10.4	8.7	7.4	6.5	5.8
	30	0.43	55	26.0	21.0	16.0	12.8	10.6	9.1	8.0	7.1
	40	0.50	64	30.0	25.0	18.6	14.9	12.4	10.6	9.3	8.3
	50	0.56	72	33.0	28.0	21.0	16.6	13.9	11.9	10.4	9.2
	60	0.61	78	36.0	30.0	23.0	18.1	15.1	12.9	11.3	10.1
<b>FD 06</b> Gray (50 M)	20	0.42	54	25.0	21.0	15.6	12.5	10.4	8.9	7.8	6.9
	30	0.52	67	31.0	26.0	19.3	15.4	12.9	11.0	9.7	8.6
	40	0.60	77	36.0	30.0	22.0	17.8	14.9	12.7	11.1	9.9
	50	0.67	86	40.0	33.0	25.0	19.9	16.6	14.2	12.4	11.1
	60	0.73	93	43.0	36.0	27.0	22.0	18.1	15.5	13.6	12.0
<b>FD 08</b> White (50 M)	20	0.57	73	34.0	28.0	21.0	16.9	14.1	12.1	10.6	9.4
	30	0.70	90	42.0	34.6	26.0	20.8	17.4	14.8	12.8	11.6
	40	0.80	102	48.0	39.6	29.8	23.8	19.8	17.0	14.8	13.2
	50	0.90	116	54.0	44.0	33.4	26.8	22.2	19.0	16.8	14.8
	60	0.98	126	58.0	48.0	36.4	29.2	24.2	20.8	18.2	16.2
<b>FD 10</b> Light Blue	20	0.71	91	42.0	34.6	26.0	20.8	17.4	14.9	13.1	11.7
	30	0.86	110	52.1	42.0	32.0	25.7	21.3	18.2	16.0	14.3
	40	1.03	128	60.0	50.1	37.2	29.8	24.9	21.2	18.7	16.6
	50	1.12	143	66.2	56.0	42.2	33.2	27.8	23.8	20.7	18.5
	60	1.23	157	72.1	60.2	46.1	36.3	30.3	25.8	22.6	20.1
<b>FD 15</b> Green	20	1.05	135	63.1	51.8	39.0	31.2	26.1	22.4	19.7	17.6
	30	1.29	165	78.2	63.0	48.0	38.6	32.0	27.3	24.0	21.5
	40	1.54	192	90.1	75.1	55.9	44.7	37.4	31.8	28.1	25.0
	50	1.68	217	99.3	84.0	63.3	49.8	41.7	35.7	31.1	27.8
	60	1.83	234	108.0	90.2	69.2	54.5	45.5	38.7	34.0	30.2
<b>FD 20</b> Black	20	1.42	183	84.0	69.2	52.0	41.6	34.8	29.8	26.2	23.4
	30	1.72	220	104.2	84.0	64.0	51.4	42.6	36.4	32.0	28.6
	40	2.10	256	120.0	100.2	74.4	59.6	49.8	42.4	37.4	33.2
	50	2.24	285	132.4	112.0	84.4	66.4	55.6	47.6	41.4	37.0
	60	2.48	315	144.2	120.4	92.2	72.6	60.7	51.6	45.2	40.2





# Flood nozzles FT



POM	List Price ea.
FT Series	\$2.58

Crop production    Ground care

	PSI	Capacity 1 nozzle in GPM	Capacity 1 nozzle in oz./min.	GALLONS/ACRE							
				30" Spacing				40" Spacing			
				5 mph	6 mph	7 mph	8 mph	5 mph	6 mph	7 mph	8 mph
<b>Orange FT .5</b> (50/100 M)	10	0.05	6.5	1.98	1.65	2.25	1.25	1.48	1.25	1.05	0.95
	20	0.07	9	2.78	2.3	1.98	1.73	2.08	1.73	1.47	1.3
	30	0.09	11.5	3.48	2.9	2.25	2.18	2.6	2.18	1.85	1.65
	40	0.1	13	3.95	3.3	2.83	2.48	2.98	2.48	2.13	1.85
<b>Green FT .75</b> (50/100 M)	10	0.08	10	2.96	2.48	2.14	1.88	2.21	1.88	1.58	1.4
	20	0.11	14	4.16	3.45	2.96	2.59	3.11	2.59	2.21	2.0
	30	0.13	17	5.21	4.35	3.71	3.26	3.90	3.26	2.78	2.4
	40	0.15	19	5.93	4.95	4.24	3.71	4.46	3.71	3.19	2.8
<b>Yellow FT 1.0</b> (50/100 M)	10	0.10	13	3.95	3.30	2.85	2.50	2.95	2.50	2.10	1.9
	20	0.14	18	5.55	4.60	3.95	3.45	4.15	3.45	2.95	2.6
	30	0.18	23	6.95	5.80	4.95	4.35	5.20	4.35	3.70	3.3
	40	0.20	26	7.90	6.60	5.65	4.95	5.95	4.95	4.25	3.7
<b>Blue FT 1.5</b> (50 M)	10	0.15	20	5.93	4.95	4.28	3.75	4.43	3.75	3.15	2.8
	20	0.21	27	8.33	6.90	5.93	5.18	6.23	5.18	4.43	3.9
	30	0.26	34	10.43	8.70	7.43	6.53	7.80	6.53	5.55	4.9
	40	0.30	38	11.85	9.90	8.48	7.43	8.93	7.43	6.38	5.6
<b>Red FT 2.0</b> (50 M)	10	0.20	26	7.9	6.6	5.7	5.0	5.9	5.0	4.2	3.7
	20	0.28	36	11.1	9.2	7.9	6.9	8.3	6.9	5.9	5.2
	30	0.35	45	13.9	11.6	9.9	8.7	10.4	8.7	7.4	6.5
	40	0.40	51	16.8	13.2	11.3	9.9	11.9	9.9	8.5	7.4
<b>Brown FT 2.5</b> (50 M)	10	0.25	32	9.9	8.3	7.1	6.2	7.5	6.2	5.3	4.7
	20	0.36	46	14.0	11.5	10.0	8.8	10.5	8.8	7.6	6.6
	30	0.44	56	17.0	14.5	12.5	11.0	13.0	11.0	9.3	8.1
	40	0.50	64	20.0	16.5	14.0	12.5	15.0	12.5	10.5	9.3
<b>Gray FT 3.0</b> (50 M)	10	0.30	39	11.9	9.9	8.6	7.5	8.9	7.5	6.3	5.6
	20	0.42	54	16.7	13.8	11.9	10.4	12.5	10.4	8.9	7.8
	30	0.53	68	20.9	17.4	14.9	13.1	15.6	13.1	11.1	9.8
	40	0.60	77	23.7	19.8	17.0	14.9	17.9	14.9	12.8	11.1
<b>White FT 4.0</b> (50 M)	10	0.40	52	15.8	13.2	11.4	10.0	11.8	10.0	8.4	7.4
	20	0.56	72	22.2	18.4	15.8	13.8	16.6	13.8	11.8	10.4
	30	0.70	90	27.8	23.2	19.8	17.4	20.8	17.4	14.8	13.0
	40	0.80	102	32	26.4	22.6	19.8	23.8	19.8	17.0	14.8
<b>Lt. Blue FT 5.0</b> (50 M)	10	0.50	64	20	16.5	14.1	12.4	14.9	12.4	10.6	9.3
	20	0.71	91	28	23	20	17.6	21	17.6	15.1	13.2
	30	0.87	111	34	29	25	22	26	22	18.5	16.1
	40	1.00	128	40	33	28	25	30	25	21.0	18.6
<b>Lt. Grn. FT 7.5-</b> (50 M)	10	0.75	96	30	25	21	19	22	19	15.9	14.0
	20	1.07	137	42	35	30	26	32	26	23	19.8
	30	1.31	167	51	44	38	33	39	33	28	24
	40	1.50	192	60	50	42	38	45	38	32	28
<b>Black FT 10.0</b> (50 M)	10	1.00	128	40	33	28	25	30	25	21	19
	20	1.42	182	56	46	40	35	42	35	30	26
	30	1.74	222	68	58	50	44	52	44	37	32
	40	2.00	256	80	66	56	50	60	50	42	37



## TwinSprayCap Bayonet combi-cap for air-induction nozzles and flat spray nozzles



**MULTIJET with round hole bore,**  
e.g. for use on Dropleg<sup>UL</sup> (S. 103)  
Order no.: 092.163.56.10



**MULTIJET**  
Order no.: 092.163.56.00



**Hardi**  
Order no.: 092.163.56.01

POM	List Price ea.
092.163.56.00	\$13.73
092.163.56.01	\$23.65

In addition to the spray tips featured on the previous pages, the following spray tips maybe ordered thru Green Leaf.

No matter what your AG spraying needs are.  
Turn to Green Leaf and Lechler "Your Trusted Spraying Partners."

## Also Available:

NOZZLE TYPE	SPECIFICATI ONS	
<b>ID / ID3 Air Induction Flat Spray</b>	<ul style="list-style-type: none"> <li>• <b>Extremely Low drift potential</b></li> <li>• 80°, 110°, 90°, 120°</li> <li>• Ultra Coarse to Coarse droplets</li> </ul>	<ul style="list-style-type: none"> <li>• 30-115 / 100-290 PSI for orchard/vineyard</li> <li>• POM, POM/Ceramic</li> <li>• Sizes: 01, 015, 02, 025, 03, 04, 05, 06, 08</li> </ul>
<b>IS – Off-Center Air Induction Flat Spray</b>	<ul style="list-style-type: none"> <li>• <b>Extremely Low drift potential</b></li> <li>• 80°</li> <li>• Very Coarse to Coarse droplets</li> </ul>	<ul style="list-style-type: none"> <li>• 30-115 PSI</li> <li>• POM</li> <li>• Sizes: 02, 025, 03, 04, 05, 06</li> </ul>
<b>IDKT – Twin Air Induction Flat Spray</b>	<ul style="list-style-type: none"> <li>• <b>Very Low drift potential</b></li> <li>• 120°, 30° front and rear angles</li> <li>• Extremely Coarse to Medium droplets</li> </ul>	<ul style="list-style-type: none"> <li>• 15-90 PSI</li> <li>• POM, POM/Ceramic</li> <li>• Sizes: 015, 02, 025, 03, 04, 05, 06</li> </ul>
<b>TR – Hollow Cone with insert</b>	<ul style="list-style-type: none"> <li>• <b>Medium drift potential</b></li> <li>• 80°</li> <li>• Medium to Very Fine droplets</li> </ul>	<ul style="list-style-type: none"> <li>• 40-115 / 45-290 PSI for orchard/vineyard</li> <li>• POM/Ceramic</li> <li>• Sizes: 005, 0067, 01, 015, 02, 03, 04, 05</li> </ul>
<b>ITR – Air Induction Hollow Cone with insert</b>	<ul style="list-style-type: none"> <li>• <b>Extremely Low drift potential</b></li> <li>• 80°</li> <li>• Very Coarse to Medium droplets</li> </ul>	<ul style="list-style-type: none"> <li>• 40-115 / 145-435 PSI for orchard/vineyard</li> <li>• POM/Ceramic</li> <li>• Sizes: 01, 015, 02</li> </ul>
<b>AD – Anti-Drift Flat Spray</b>	<ul style="list-style-type: none"> <li>• <b>Low drift potential</b></li> <li>• 110°, 90°, 120°</li> <li>• Very Coarse to Medium droplets</li> </ul>	<ul style="list-style-type: none"> <li>• 20-90 PSI for row crops</li> <li>• 30-290 PSI orchard and vineyards</li> <li>• POM, POM/Ceramic</li> <li>• Sizes: 015, 02, 03, 04</li> </ul>
<b>FL – 5 Outlet Flood</b>	<ul style="list-style-type: none"> <li>• <b>Very Low drift potential</b></li> <li>• 160°</li> <li>• Streaming spray pattern</li> </ul>	<ul style="list-style-type: none"> <li>• 15-75 PSI</li> <li>• POM, Stainless Steel</li> <li>• Orifice sizes: 0.8, 1.0, 1.2, 1.5, 1.8mm</li> </ul>
<b>ES – Even Flat Spray</b>	<ul style="list-style-type: none"> <li>• <b>Medium drift potential</b></li> <li>• 80°, 90°</li> <li>• Medium droplets</li> </ul>	<ul style="list-style-type: none"> <li>• 15-60 PSI</li> <li>• POM, Brass</li> <li>• Sizes: 01, 015, 02, 03, 04, 05, 06, 08</li> </ul>
<b>OC – Off-Center Flat Spray</b>	<ul style="list-style-type: none"> <li>• <b>Medium drift potential</b></li> <li>• 90°</li> <li>• Medium to Fine droplets</li> </ul>	<ul style="list-style-type: none"> <li>• 20-75 PSI</li> <li>• Brass</li> <li>• Sizes: 2, 3, 4, 5, 6, 8, 12, 20, 30, 40, 60, 80</li> </ul>



Call for pricing and availability 800-654-9808.



**NEW DESIGN**



## Planograms & Custom Displays

- Planogram Assistance Available
- 4ft. to 20 ft. Options
- Customized to Fit Your Needs

**4ft to 20ft Options**



*Peg Hangers & Bin Tags*



Packaging • Bagging • Labeling • UPC Codes



**NEW  
Design  
& PKG**



**Ziploc  
Style Bags  
Available**







## Maximum and Minimum Continuous Use Temperature

---

Maximum continuous use temperature for a material is typically derived from a testing procedure developed by Underwriters Laboratories, Inc. The UL temperature index is reported for three different categories: electrical, mechanical with impact, and mechanical without impact. The value for each category represents the temperature at which specific properties will decrease to 1/2 of their original values after 60,000 hours of exposure.

Minimum continuous use temperature for a material must be based on the property requirements of the end use product. Properties such as: Tensile Strength, Elongation at Break, and Yield Strength are published down to -40°F in some cases.

We have taken the above information into consideration and developed the following guidelines for use with Green Leaf, Inc® Proprietary fittings (not including GatorLock® Cam Lock Couplings and Valves):

Nylon 6/6 Fittings:	167°F—32°F @ 75psi
Polypropylene Fittings:	140°F—32°F @ 75psi

These guidelines should not be used as specific limits or used alone to determine suitability for end use. It is impossible for Green Leaf, Inc® to anticipate all factors that can influence the maximum and minimum continuous use temperature. Therefore, Green Leaf, Inc® can make no guarantee of results and can assume no liability in connection with the use of this information. Confirmation of the validity of this information and the suitability of our products for any specific end use should be attained independently.

Green Leaf, Inc®  
Engineering Department



## Guide\* For Chemical Resistance

\*These ratings have been developed from technical publications, material suppliers and laboratory tests, and are presented for your evaluation and not as a guarantee.

- Failure, improper selection, or improper use of the products and / or systems referred to and described herein or related items can cause death, personal injury or property damage.
- This document and other information provides product and / or system options for further investigation by users having technical expertise.
- It is important that you analyze all aspects of your application and review the information concerning the product or system.
- Due to the variety of operating conditions and applications for these products or systems, the user, through his or her own analysis and testing, is solely responsible for making the final selection of the products and systems and assuring that all performance, safety and warning requirements are met.
- The materials described and referred to herein are subject to change at any time without notice.
- Unless otherwise stated, all recommendations are based on room temperature (72° F) exposure. Compatibility results may deviate from these recommendations at elevated temperatures. Recommendations are based on presence of listed chemical only.
- Mixtures containing more than one chemical can greatly affect chemical compatibility.
- Polypropylene products and components should not be used with low flash point chemicals, regardless of chemical compatibility results.

RATING CODES (A) Excellent (B) Good (C) Fair (X) Unsuitable ( ) Insufficient Data	ELASTOMERS				METALS				PLASTICS		
	BUNA N (NITRILE)	EPDM	NEOPRENE®	VITON®/FLUOROELASTOMER	STAINLESS STEEL (302-305, 630)	STAINLESS STEEL (316)	STAINLESS STEEL (403-416)	ALUMINUM	NYLON	POLYPROPYLENE* (PPR)	TEFLON® (TFE)
<b>A</b>											
ACETATE SOLVENTS	X	X	X	X	A	A		B	B	X	A
ACETIC ACID	C	C	X	X	B	A		B	X	B	A
ACETIC ACID 95%					B	X				A	
ACETONE	X	C	X	X	C	A	A	A	A	A	A
ALCOHOL	B	X	X	X	A	A	A	B	B	X	A
ALUM	C	B	B	B	X	C	X		C	A	A
ALUMINUM CHLORIDE	X	B	B	B	X	C		B	B	A	A
AMMONIA	X	C	A	X					A		A
AMMONIA-AQUEOUS 30%	X	B			B	A				A	
AMMONIA, ANHYDROUS	C		A	X	A	A		B			
AMMONIUM, CHLORIDE	X		B	B	X	B	C	C	B	A	A
AMMONIUM DIHYDROGEN PHOSPHATE										A	
AMMONIUM HYDROXIDE	C	B	C	X	A	A	A	C	C	A	A
AMMONIUM SULFATE	X		B	B	B	B	C	B	B	A	A
<b>B</b>											
BARIUM CHLORIDE	B	X	A	B	A	B		X	B	A	A
BARIUM FLUORIDE	X	X	B	C					C	X	A
BARIUM NITRATE	B	B	A	B	B	B		B	B	A	A
BARIUM SULFATE	X	C	B	B	C	B		X		A	A
BENZENE	X		C	B	A	A	C	B	B	X	A
BENZOIC ACID	X	C	X	C	C	C		B	X	A	A
BORIC ACID	X	C	C	C	C	B	C	B	X	A	A
BRAKE FLUID	B	A	B	X					B	X	A
BUTYL ALCOHOL	X	X	X	A		A			B	A	A



**CHEMICAL RESISTANCE CHART**

RATING CODES (A) Excellent (B) Good (C) Fair (X) Unsuitable ( ) Insufficient Data	ELASTOMERS				METALS				PLASTICS		
	BUNA N (NITRILE)	EPDM	NEOPRENE®	VITON®/FLUOROELASTOMER	STAINLESS STEEL (302-305, 630)	STAINLESS STEEL (316)	STAINLESS STEEL (403-416)	ALUMINUM	NYLON	POLYPROPYLENE* (PPR)	TEFLON® (TFE)
<b>C</b>											
CALCIUM BISULFITE	B	B	B	C	C	C	X	C	B	A	A
CALCIUM CHLORIDE	B	B	B	X	C	B		C	B	A	A
CALCIUM HYDROXIDE	B	B	X	X	C	A		C	B	A	A
CALCIUM HYDROXIDE 30%, BOILING					X	C				A	
CALCIUM HYPOCHLORITE, 5%, 70°			C	A	C	B		C		A	
CARBON BISULFIDE	A	X	X	B		B		A	B	X	A
CARBON DISULFIDE	X	X	X	B	A	C	B	C	B	X	A
CARBON TETRACHLORIDE	X	X	X	B	A	B	A	X	B	X	A
CAUSTIC LIQUID	B	B		A						A	
CAUSTIC SODA, ALL CONC., 72° & 140°	B	C	C	X	A	A			B	C	A
CHLORINATED SOLVENTS	X	X	X	B					X		A
CHLORINATED WATER, SATURATE	C		B	B	B	C			X	B	A
CHLORINE	X	X	X	X	X	X			X	X	A
CHLORINE TRIFLUORIDE	X	X	X	C				X	X	X	A
CHLOROACETIC ACID	X	C	X	X	B	X			X	A	A
CHROMIC ACID	X	C	X	B	X	C	C	C	X	B	A
CHROMIC ACID, 10%, 70° F			X					C		A	
CITRIC ACID	X	C	C	C	C	A	C	C	X	A	A
CITRIC ACID, HOT, CONC.					X	X				A	
COPPER SULFATE	X	B	B	B	C	A	A	X		A	A
CORN OIL	A	B	X	X		A			A	A	A
CYCLOHEXANE	C	X	X	A	A	A		A		X	A
<b>D</b>											
DETERGENT SOLUTIONS	C	C	C	C	A	A		A	A	B	A
<b>E</b>											
ETHYL ACETATE	X	X	X	X	B	B		B	B	A	A
ETHYL ALCOHOL	A		A	A		A				A	
ETHYLCELLULOSE	X	X	X	C				B	B	C	A
ETHYL CHLORIDE	X	X	X	C	A	A		X	B	X	A
ETHYLENE GLYCOL	A	A	B	A	A	A	A	A	B	C	A
<b>F</b>											
FERRIC CHLORIDE	X	X	B	C	X	X	X	X	B	A	A
FERRIC SULFATE	X	B	B	B	B	A	A	X	B	A	C
FERROUS CHLORIDE	X	B	B	B	X	X		X	B	A	A
FERROUS SULFATE	X	B	B	B	C	C		X	B	A	A
FLUORINE	X	X	X	X	A	B		X	X	X	X
FORMALDEHYDE	C	B	X	B	A	A	A	A	C	A	A





RATING CODES (A) Excellent (B) Good (C) Fair (X) Unsuitable ( ) Insufficient Data	ELASTOMERS				METALS				PLASTICS		
	BUNA N (NITRILE)	EPDM	NEOPRENE®	VITON®/FLUOROELASTOMER	STAINLESS STEEL (302-305, 630)	STAINLESS STEEL (316)	STAINLESS STEEL (403-416)	ALUMINUM	NYLON	POLYPROPYLENE* (PPR)	TEFLON® (TFE)
<b>CHEMICAL NAME</b>											
FORMALDEHYDE, 40%			A		A	B				A	
FREON	X	B	X	B	B	A	A	X	X	B	A
FRUIT JUICES	A	B	X	B		A		B	X	A	A
FUEL OIL, NORMAL	C	X	X	A	A	A		A	A	A	A
<b>G</b>											
GASOLINE	C	X	X	B	A	B		A	A	X	A
GLYCERINE OR GLYCEROL	X	X	B	B	A	A	A	A	B	A	A
<b>H</b>											
HYDRAULIC OILS	C	X	A	C	A			A		A	
HYDROCARBONS, PURE		X		B						A	
HYDROCHLORIC ACID	C	B	B	C	X	X	X	X	X	A	A
HYDROCHLORIC ACID, 20%	C		A	A	X	X		X		A	
HYDROFLUORIC ACID	X	C	C	X	X	X	X	X	X	A	A
HYDROFLUORIC ACID, 50%	C		C	A	X	X		X		A	
HYDROFLUOROSILICIC ACID	X	C	C	X	X	X		X	X	A	B
HYDROGEN PEROXIDE	A	X	X	X	C	A	A	A	X	X	A
HYDROGEN PEROXIDE, 50%		A		A	C			A		A	
HYDROGEN SULFIDE	B	B	X	C	X	B	X	X	C	A	A
<b>I</b>											
IODINE	X	X	X	X	C	X		X		C	A
ISOPAR G		X		A						A	
ISOPROPYL ALCOHOL	B		A	A	A	B				A	
<b>L</b>											
LACQUER SOLVENTS	X	X	X	B	A	A	A	A	B	X	A
LIME, 30%					A	A		C		A	
LUBRICATING OIL	A	B	B	A	A	A		A	A	X	A
<b>M</b>											
MAGNESIUM CHLORIDE	X	B	B	C	C	A	C	X	B	A	A
MAGNESIUM HYDROXIDE	X	C	C	X	C	A	A	X	B	A	A
MAGNESIUM SULFIDE	X	C	B	X					B	A	A
MANGANESE CHLORIDE	X	C	B	X	X	X			B	A	A
MANGANESE SULFATE	X	C	B	X					B	A	A
MERCURIC SULFATE	X	C	B	X					B	A	A
METHYL CHLORIDE	C	X	X	X	A	A		X	B	X	A
METHYL ETHYL KETONE	X	A	X	X	A	A		A		A	
MINERAL OILS	C	X	B	B	A	A			A	B	A
MUSTARD	C	B	X	C	A	A		B	A	A	A



CHEMICAL RESISTANCE CHART

RATING CODES (A) Excellent (B) Good (C) Fair (X) Unsuitable ( ) Insufficient Data	ELASTOMERS				METALS				PLASTICS		
	BUNA N (NITRILE)	EPDM	NEOPRENE®	VITON®/FLUOROELASTOMER	STAINLESS STEEL (302-305, 630)	STAINLESS STEEL (316)	STAINLESS STEEL (403-416)	ALUMINUM	NYLON	POLYPROPYLENE* (PPR)	TEFLON® (TFE)
<b>CHEMICAL NAME</b>											
<b>N</b>											
NICKEL CHLORIDE	X	C	C	X	C	X	X	X	B	A	A
NICKEL SULFATE	X	C	C	X	C	B	X	X	B	A	A
NITRIC ACID	X	X	X	X	C	B	C	X	X	X	A
NITRIC ACID, 20%	X	B	X	B	A	A		X		A	
NITRIC OXIDE	X	C	C	X					C	X	A
<b>O</b>											
OIL - NO. 1 ASTM	B	X	B	A					A	X	A
OIL - NO. 3 ASTM	B	X	B	A					A	X	A
<b>P</b>											
PHOSPHORIC ACID	X	C	C	C	A			X	X	A	A
PHOSPHORIC ACID, 10%					A	B		X		A	
PHOTO CHEMICALS - STANDARD TYPES										A	
PHOTOGRAPHIC - DEVELOPERS	X	B	C	C	C	A		C	B	A	A
PHOTOGRAPHIC - FIXER	C	A	B	B	C	B				A	
POTASSIUM BICARBONATE	A		A	A	B	C		C		A	
POTASSIUM CARBONATE	C	B	B	B	C	C		C	C	A	A
POTASSIUM CHLORATE	X	B	B	C	A	C		B	B	A	A
POTASSIUM CHLORIDE	X	B	B	C	C	B	C	B	B	A	A
POTASSIUM DICHROMATE, 40%					A	A		A		A	
POTASSIUM HYDROXIDE	C	B	X	X	B	B	A	X	B	B	A
POTASSIUM NITRATE	X	B	B	C	A	C		B	B	A	A
POTASSIUM SULFATE	X	B	B	C	C	B	A	A	B	A	A
PROPYLENE GLYCOL	A	A	C	A	C	B		A	B	C	A
<b>S</b>											
SALINE SOLUTION - ALL CONC.										A	
SILICONE OILS & GREASES	X	C	C	B	B	A			A	A	A
SODIUM BICARBONATE	X	B	B	X	A	A	A	A	B	A	A
SODIUM BISULFATE	X	B	C	B	X	A	X	X	B	A	A
SODIUM CARBONATE	X	X	B	X	C	A		C	B	A	A
SODIUM CHLORATE	X	B	B	B	C	C		B	B	A	A
SODIUM CYANIDE	X	B	B	B	C	A	A	X	B	A	A
SODIUM HYDROSULFITE	X	B	B	B					C	A	A
SODIUM HYDROXIDE	B	A	B	A	C	X	A	X	C	A	A
SODIUM HYDROXIDE, 40-80%, 175°F	A		A		X	C		X		A	
SODIUM HYPOCHLORITE	X	B	X	B	X	X	X	X	C	B	A
SODIUM HYPOCHLORITE, 5%		A		A	B	A		X		B	
SODIUM IODIDE	C	B	B	X					B	C	A

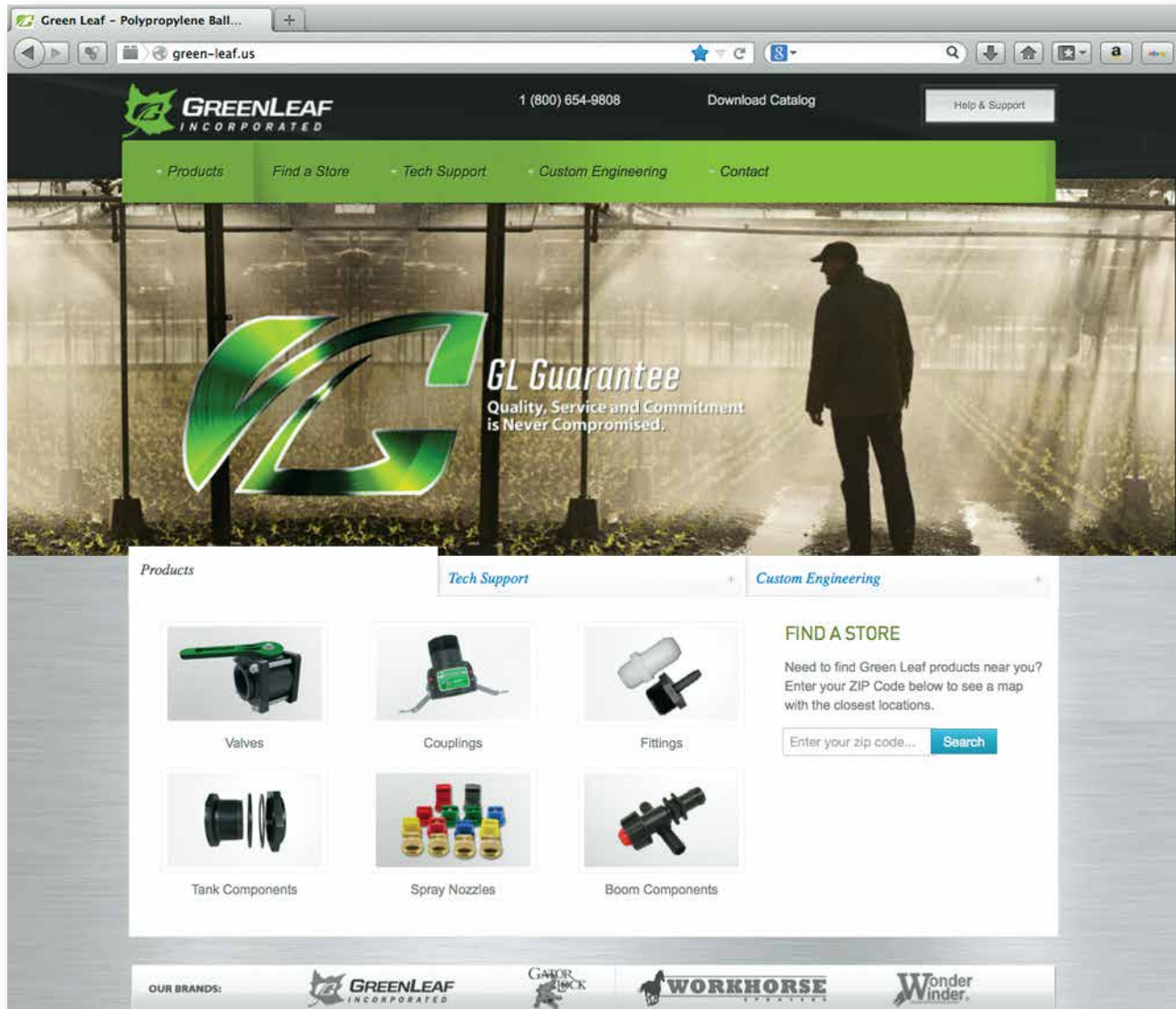


**CHEMICAL RESISTANCE CHART**

RATING CODES (A) Excellent (B) Good (C) Fair (X) Unsuitable ( ) Insufficient Data	ELASTOMERS				METALS				PLASTICS		
	BUNA N (NITRILE)	EPDM	NEOPRENE®	VITON®/FLUOROELASTOMER	STAINLESS STEEL (302-305, 630)	STAINLESS STEEL (316)	STAINLESS STEEL (403-416)	ALUMINUM	NYLON	POLYPROPYLENE* (PPR)	TEFLON® (TFE)
<b>SODIUM NITRATE</b>	X	B	C	B	C	C	A	A	B	A	A
<b>SODIUM PEROXIDE</b>	X	X	X	X	A	A	A	X	X	X	A
<b>SODIUM PHOSPHATE</b>	X	B	B	B	B	B		X	B	A	A
<b>SODIUM SULFATE</b>	X	B	B	B	A	B	A	B	B	A	A
<b>SODIUM SULFIDE</b>	X	B	B	B	X	B	A	X	B	A	A
<b>SODIUM SULFITE</b>	X	B	B	B	A	A			B	A	A
<b>SODIUM THIOSULFATE</b>	X	B	B	B	B	A	A	B	B	A	A
<b>SOFT DRINK SYRUPS</b>										A	
<b>SOLVENT - TONER KEROSENE BASE</b>										A	
<b>SOYBEAN OIL</b>	A	B	X	A	A	A			A	B	A
<b>STANNIC CHLORIDE</b>	X	B	C	B	X	X		X	B	A	A
<b>STANNOUS CHLORIDE</b>	X	B	B	B	X				B	A	A
<b>SULFUR CHLORIDE</b>	X	X	X	A	C	X	X	X	C	B	A
<b>SULFUR DIOXIDE</b>	X	X	X	A	A	B		X	C	B	A
<b>SULFUR TRIOXIDE</b>	X	X	X	A	C	C		X			A
<b>SULFURIC ACID</b>	X	C	X	B	C	B		X	X	C	A
<b>SULFUROUS ACID</b>	X	C	X	C	C	C	X	X	X	A	A
<b>T</b>											
<b>TOLUENE OR TOLUOL</b>	X	X	X	X	A	A	C	A		X	A
<b>TRIBUTYL PHOSPHATE</b>	X	X	X	X	A	A			B	B	A
<b>TRICHLOROETHYLENE</b>	X	X	X	C	A	C	A	X	C	X	A
<b>TURPENTINE</b>	C	X	X	B	C	A	C	A	C	X	A
<b>V</b>											
<b>VEGETABLE OILS</b>	B	B	C	A	C	C	C	A	A	X	A
<b>VINEGAR</b>	C	C	C	C	C	B	C	X	C	A	A
<b>W</b>											
<b>WATER, DEIONIZED</b>	C	A	C	A	A	A			B	A	A
<b>WATER, FRESH</b>	C	A	B	A	A	A	A	A	B	A	A
<b>WATER, GLYCOL</b>	C	B	B	B					B	A	A
<b>WETTING AGENTS</b>		A		A						A	
<b>Z</b>											
<b>ZINC CHLORIDE</b>	X	B	B	B	X	X	X	X	B	A	A
<b>ZINC SULFATE</b>	X	B	B	B	C	A	C	X	B	A	A

Visit Our website at [www.green-leaf.us](http://www.green-leaf.us)

W  
W  
W  
•  
G  
R  
E  
E  
N  
-  
L  
E  
A  
F  
•  
U  
S



- Features Include:
- RFQ's
  - Retail Store Locator
  - Catalog Requests & PDF downloads
  - Manuals & Instruction Guides
  - Chemical Resistance Charts
  - Green Leaf Inc Contact & Tech Support

FOLLOW US ON:



