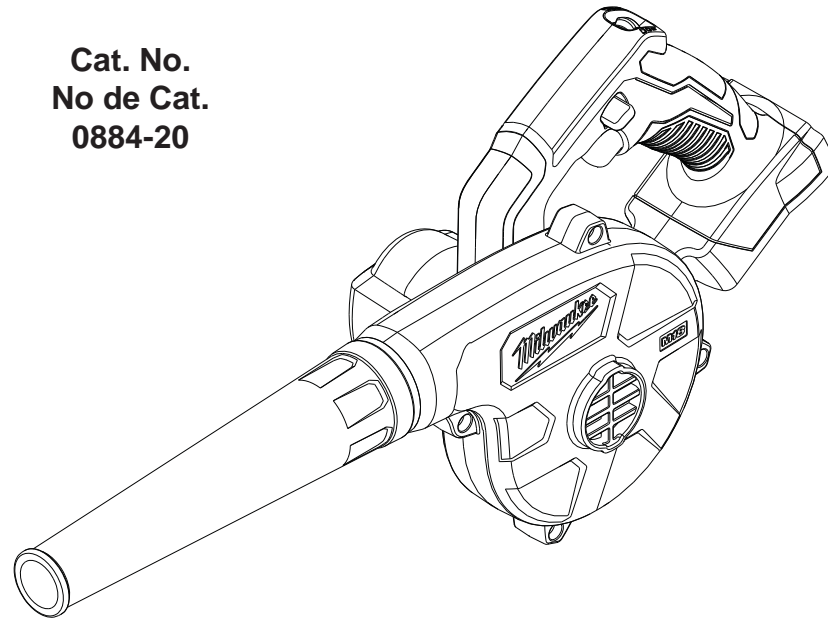




OPERATOR'S MANUAL
MANUEL de L'UTILISATEUR
MANUAL del OPERADOR

Cat. No.
No de Cat.
0884-20



M18™ CORDLESS COMPACT BLOWER
SOUFFLANTE COMPACTE SANS FIL M18™
SOPLADOR INALÁMBRICO COMPACTO M18™

TO REDUCE THE RISK OF INJURY, USER MUST READ AND UNDERSTAND OPERATOR'S MANUAL.

AFIN DE RÉDUIRE LE RISQUE DE BLESSURES, L'UTILISATEUR DOIT LIRE ET BIEN COMPRENDRE LE MANUEL DE L'UTILISATEUR.

PARA REDUCIR EL RIESGO DE LESIONES, EL USUARIO DEBE LEER Y ENTENDER EL MANUAL DEL OPERADOR.

IMPORTANT SAFETY INSTRUCTIONS

⚠ WARNING WHEN USING AN ELECTRICAL BLOWER, BASIC PRECAUTIONS SHOULD ALWAYS BE FOLLOWED, INCLUDING THE FOLLOWING: READ ALL INSTRUCTIONS BEFORE USING BLOWER. FOR HOUSEHOLD OR COMMERCIAL USE. BEFORE USING THE BLOWER, READ THIS OPERATOR'S MANUAL, YOUR BATTERY PACK AND CHARGER OPERATOR'S MANUALS, AND ALL LABELS ON THE BLOWER, BATTERY PACK, AND CHARGER. TO REDUCE THE RISK OF FIRE, ELECTRIC SHOCK, OR INJURY:

WORK AREA SAFETY

- Keep work area clean and well lit. Cluttered or dark areas invite accidents.
- Blowers have motors and other parts that can produce sparks during normal use. Do not use within 30 feet of areas where explosive materials may be present (such as gasoline pumps and places where liquids like paint thinners, cleaners, solvents, etc. are stored).
- Do not use in the presence of explosive dust, liquids or vapors.
- Do not use where oxygen or anesthetics are used.
- Do not allow to be used as a toy. Close attention is necessary when used by or near children.
- Use extra care when using on stairs.

ELECTRICAL SAFETY

- Do not handle charger, battery pack or blower with wet hands.

PERSONAL SAFETY

- **STAY ALERT.** Watch what you are doing and use common sense. Do not use blower when you are tired, distracted or under the influence of drugs, alcohol or medication causing diminished control.
- The operation of a blower can result in foreign objects being blown into eyes, which can result in eye damage. User and bystanders must wear safety goggles or glasses with side shields when blower is in operation.
- Wear a face or dust mask when working in dust situations. Dust particles can harm your lungs.
- Avoid accidental starting. Ensure the switch is in the off-position before inserting battery pack. Inserting battery pack in blower that has the switch on invites accidents.
- Do not overreach. Keep proper footing and balance at all times. This enables better control of the blower in unexpected situations.
- Keep hair, loose clothing, fingers, and all parts of body away from openings and moving parts.

USE AND CARE

- Use only as described in this manual. Use only manufacturer's recommended attachments.
- Do not use to blow flammable or combustible liquids such as gasoline or use in areas where they may be present.

- Do not blow anything that is burning or smoking such as cigarettes, matches, or hot ashes.
- To reduce the risk of health hazards from vapors or dust, do not blow toxic, carcinogenic or other hazardous materials such as asbestos, arsenic, barium, beryllium, lead, pesticides or other health endangering materials.
- **WARNING:** Some dust created by power sanding, sawing, grinding, drilling, and other construction activities contains chemicals known to cause cancer, birth defects or other reproductive harm. Some examples of these chemicals are:
 - lead from lead-based paint
 - crystalline silica from bricks and cement and other masonry products, and
 - arsenic and chromium from chemically-treated lumber.

Your risk from these exposures varies, depending on how often you do this type of work. To reduce your exposure to these chemicals: work in a well ventilated area, and work with approved safety equipment, such as those dust masks that are specially designed to filter out microscopic particles.

- Do not leave blower unattended when battery pack is installed. Remove battery pack when not in use and before servicing.
- Do not put any object into openings. Do not use with any opening blocked; keep free of dust, lint, hair, and anything else that may reduce air flow.
- Maintain blower. Check for misalignment or binding of moving parts, breakage of parts and any other condition that may affect the blower's operation. If damaged, have the blower repaired before use. Many accidents are caused by poorly maintained tools.
- Maintain labels and nameplates. These carry important information. If unreadable or missing, contact a MILWAUKEE service facility for a free replacement.
- Use blower only with specifically designated battery packs. Use of any other battery packs may create a risk of injury and fire.
- Turn off all controls before removing battery pack.
- To reduce the risk of electric shock, do not use on wet surfaces. Do not expose to rain. Store indoors. Do not charge outdoors.

BATTERY PACK USE AND CARE

- Recharge only with the charger specified by the manufacturer. A charger that is suitable for one type of battery pack may create a risk of fire when used with another battery pack.
- When battery pack is not in use, keep it away from other metal objects like paper clips, coins, keys, nails, screws, or other small metal objects that can make a connection from one terminal to another. Shorting the battery terminals together may cause burns or a fire.
- Do not use damaged battery pack or blower. If battery pack or blower are not working as they should, have been dropped, damaged, left outdoors, or dropped into water, return them to a service center.
- Do not burn or incinerate battery packs. Battery packs may explode, causing personal injury or damage. Toxic fumes and materials are created when battery packs are burned.

SERVICE

- Have your power tool serviced by a qualified repair person using only identical replacement parts. This will ensure that the safety of the power tool is maintained.

SPECIFIC SAFETY RULES






- Before using the blower, read this operator's manual, your battery pack and charger operator's manuals, and all labels on the blower, battery pack, and charger.
- Wear ear protectors. Exposure to noise can cause hearing loss.

READ AND SAVE ALL INSTRUCTIONS FOR FUTURE USE

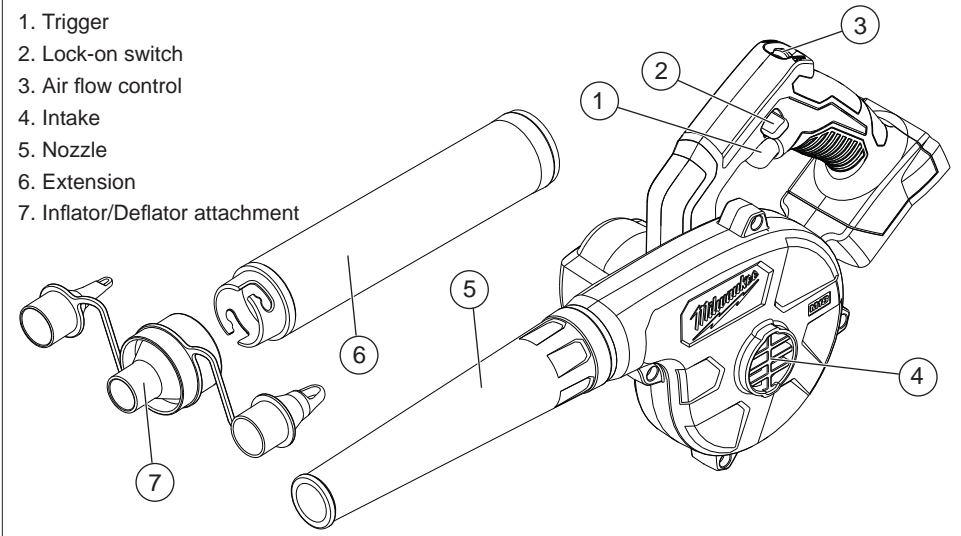
SPECIFICATIONS

Cat. No.	Volts DC	Air Speed	Fan Speed
0884-20	18 V	160 MPH	18,000 RPM

SYMBOLGY

	Volts
	Direct Current
	Underwriters Laboratories, Inc. United States and Canada
	Read operator's manual
	Wear eye protection

FUNCTIONAL DESCRIPTION



ASSEMBLY

⚠ WARNING Always remove battery pack before changing or removing accessories. Only use accessories specifically recommended for this tool. Others may be hazardous.

Inserting/Removing the Battery

To **remove** the battery, push in the release buttons and pull the battery pack away from the tool. To **insert** the battery, slide the pack into the body of the tool. Make sure it latches securely into place.

Installing/Removing the Accessories

Blower:

To install the nozzle, extension, or inflator adaptor, line up the lugs of the accessory with the slots on the blower. Push the accessory onto the blower. Twist the accessory clockwise to lock into place. To remove the accessory, twist counter-clockwise and pull away from the blower.

Deflator:

To install the adaptor onto the intake, line up the detents on the adaptor with the tabs on the top and bottom of the intake. Slide the adaptor onto the intake. To remove the adaptor from the intake, pull the adaptor away from the tool.

OPERATION

⚠ WARNING To reduce the risk of fire and injury, do not use to blow flammable or combustible materials.

⚠ WARNING To reduce the risk of injury, user and bystanders must wear safety goggles or glasses with side shields. Use of blower can result in foreign objects being blown into eyes, which can result in eye damage.

Selecting air flow

The blower can be set to three air flow speeds: low, medium, and high. Push the air flow control up to increase air flow; push it down to decrease air flow.

Starting, Stopping, and Controlling Air flow

1. To **start** the blower, pull the trigger.
2. To **vary** the air flow, increase or decrease the pressure on the trigger. The further the trigger is pulled, the greater the airflow speed, up to the maximum set by the airflow control.
3. To **stop** the blower, release the trigger.

Lock-on

To lock-on the trigger for continuous use:

1. Pull the trigger.
2. Push down on the lock-on switch.
3. Release the trigger.
4. To stop the blower, pull and release the trigger.

MAINTENANCE

⚠ WARNING To reduce the risk of injury, always unplug the charger and remove the battery pack from the charger or tool before performing any maintenance. Never disassemble the tool, battery pack or charger. Contact a MILWAUKEE service facility for ALL repairs.

Maintaining Tool

Keep your tool, battery pack and charger in good repair by adopting a regular maintenance program. After six months to one year, depending on use, return the tool, battery pack and charger to a MILWAUKEE service facility for:

- Lubrication
- Mechanical inspection and cleaning (gears, spindles, bearings, housing, etc.)
- Electrical inspection (battery pack, charger, motor)
- Testing to assure proper mechanical and electrical operation

If the tool does not start or operate at full power with a fully charged battery pack, clean the contacts on the battery pack. If the tool still does not work properly, return the tool, charger and battery pack, to a MILWAUKEE service facility for repairs.

⚠ WARNING To reduce the risk of personal injury and damage, never immerse your tool, battery pack or charger in liquid or allow a liquid to flow inside them.

Cleaning

Clean dust and debris from charger and tool vents. Keep tool handles clean, dry and free of oil or grease. Use only mild soap and a damp cloth to clean the tool, battery pack and charger since certain cleaning agents and solvents are harmful to plastics and other insulated parts. Some of these include gasoline, turpentine, lacquer thinner, paint thinner, chlorinated cleaning solvents, ammonia and household detergents containing ammonia. Never use flammable or combustible solvents around tools.

Repairs

For repairs, return the tool, battery pack and charger to the nearest service center listed on the back cover of this operator's manual.

ACCESSORIES

⚠ WARNING Always remove battery pack before changing or removing accessories. Only use accessories specifically recommended for this tool. Others may be hazardous.

For a complete listing of accessories refer to your MILWAUKEE Electric Tool catalog or go online to www.milwaukeeetool.com. To obtain a catalog, contact your local distributor or a service center listed on the back cover of this operator's manual.

LIMITED WARRANTY - USA AND CANADA

Every MILWAUKEE power tool (including cordless product – tool, battery pack(s) - see separate & distinct CORDLESS BATTERY PACK LIMITED WARRANTY statements & battery charger and Work Lights*) is warranted to the original purchaser only to be free from defects in material and workmanship. Subject to certain exceptions, MILWAUKEE will repair or replace any part on an electric power tool which, after examination, is determined by MILWAUKEE to be defective in material or workmanship for a period of five (5) years* after the date of purchase unless otherwise noted. Return of the power tool to a MILWAUKEE factory Service Center location or MILWAUKEE Authorized Service Station, freight prepaid and insured, is required. A copy of the proof of purchase should be included with the return product. This warranty does not apply to damage that MILWAUKEE determines to be from repairs made or attempted by anyone other than MILWAUKEE authorized personnel, misuse, alterations, abuse, normal wear and tear, lack of maintenance, or accidents.

*The warranty period for, Job Site Radios, M12™ Power Port, M18™ Power Source, and Trade Titan™ Industrial Work Carts is one (1) year from the date of purchase. The warranty period for a LED Work Light and LED Upgrade Bulb is a limited LIFETIME warranty to the original purchaser only, if during normal use the LED bulb fails the Work Light or Upgrade Bulb will be replaced free of charge.

*This warranty does not cover Air Nailers & Stapler, Airless Paint Sprayer, Cordless Battery Packs, Gasoline Driven Portable Power Generators, Hand Tools, Hoist – Electric, Lever & Hand Chain, M12™ Heated Jackets, Reconditioned product and Test & Measurement products. There are separate and distinct warranties available for these products.

Warranty Registration is not necessary to obtain the applicable warranty on a MILWAUKEE power tool product. The manufacturing date of the product will be used to determine the warranty period if no proof of purchase is provided at the time warranty service is requested.

ACCEPTANCE OF THE EXCLUSIVE REPAIR AND REPLACEMENT REMEDIES DESCRIBED HEREIN IS A CONDITION OF THE CONTRACT FOR THE PURCHASE OF EVERY MILWAUKEE PRODUCT. IF YOU DO NOT AGREE TO THIS CONDITION, YOU SHOULD NOT PURCHASE THE PRODUCT. IN NO EVENT SHALL MILWAUKEE BE LIABLE FOR ANY INCIDENTAL, SPECIAL, CONSEQUENTIAL OR PUNITIVE DAMAGES, OR FOR ANY COSTS, ATTORNEY FEES, EXPENSES, LOSSES OR DELAYS ALLEGED TO BE AS A CONSEQUENCE OF ANY DAMAGE TO, FAILURE OF, OR DEFECT IN ANY PRODUCT INCLUDING, BUT NOT LIMITED TO, ANY CLAIMS FOR LOSS OF PROFITS. SOME STATES DO NOT ALLOW THE EXCLUSION OR LIMITATION OF INCIDENTAL OR CONSEQUENTIAL DAMAGES, SO THE ABOVE LIMITATION OR EXCLUSION MAY NOT APPLY TO YOU. THIS WARRANTY IS EXCLUSIVE AND IN LIEU OF ALL OTHER EXPRESS WARRANTIES, WRITTEN OR ORAL. TO THE EXTENT PERMITTED BY LAW, MILWAUKEE DISCLAIMS ANY IMPLIED WARRANTIES, INCLUDING WITHOUT LIMITATION ANY IMPLIED WARRANTY OF MERCHANTABILITY OR FITNESS FOR A PARTICULAR USE OR PURPOSE; TO THE EXTENT SUCH DISCLAIMER IS NOT PERMITTED BY LAW, SUCH IMPLIED WARRANTIES ARE LIMITED TO THE DURATION OF THE APPLICABLE EXPRESS WARRANTY AS DESCRIBED ABOVE. SOME STATES DO NOT ALLOW LIMITATIONS ON HOW LONG AN IMPLIED WARRANTY LASTS, SO THE ABOVE LIMITATION MAY NOT APPLY TO YOU. THIS WARRANTY GIVES YOU SPECIFIC LEGAL RIGHTS, AND YOU MAY ALSO HAVE OTHER RIGHTS WHICH VARY FROM STATE TO STATE. This warranty applies to product sold in the U.S.A. and Canada only.

Please consult the 'Service Center Search' in the Parts & Service section of MILWAUKEE's website www.milwaukeeetool.com or call **1.800.SAWDUST (1.800.729.3878)** to locate your nearest service facility for warranty and non-warranty service on a Milwaukee electric power tool.

LIMITED WARRANTY - MEXICO, CENTRAL AMERICA AND CARIBBEAN

TECHTRONIC INDUSTRIES' warranty is for 5 year since the original purchase date.

This warranty card covers any defect in material and workmanship on this Power Tool. To make this warranty valid, present this warranty card, sealed/stamped by the distributor or store where you purchased the product, to the Authorized Service Center (ASC). Or, if this card has not been sealed/stamped, present the original proof of purchase to the ASC.

Call toll-free 1 800 832 1949 to find the nearest ASC, for service, parts, accessories or components.

Procedure to make this warranty valid

Take the product to the ASC, along with the warranty card sealed/stamped by the distributor or store where you purchased the product, and there any faulty piece or component will be replaced without cost for you. We will cover all freight costs relative with this warranty process.

Exceptions

This warranty is not valid in the following situations:

- a) When the product is used in a different manners from the end-user guide or instruction manual.
- b) When the conditions of use are not normal.
- c) When the product was modified or repaired by people not authorized by TECHTRONIC INDUSTRIES.

Note: If cord set is damaged, it should be replaced by an Authorized Service Center to avoid electric risks.

Model: _____

Date of Purchase: _____

Distributor or Store Stamp: _____

SERVICE AND ATTENTION CENTER
Av Presidente Mazarik 29 Piso 7, 11570 Chapultepec Morales
Miguel Hidalgo, Distrito Federal, Mexico
Ph. 52 55 4160-3547

IMPORTED AND COMMERCIALIZED BY:
TECHTRONIC INDUSTRIES MEXICO, S.A. DE C.V.
Av Presidente Mazarik 29 Piso 7, 11570 Chapultepec Morales
Miguel Hidalgo, Distrito Federal, Mexico

RÈGLES GÉNÉRALES DE SÉCURITÉ

⚠ AVERTISSEMENT LORS DE L'UTILISATION D'UNE SOUFFLANTE ÉLECTRIQUE, DES PRÉCAUTIONS ÉLÉMENTAIRES, Y COMPRIS CELLES PRÉSENTÉES CI-DESSOUS, DOIVENT TOUJOURS ÊTRE PRISES EN COMPTE : LIRE TOUTES LES INSTRUCTIONS AVANT D'UTILISER LA SOUFFLANTE. POUR UN USAGE DOMESTIQUE OU COMMERCIALE. AVANT D'UTILISER LA SOUFFLANTE, LIRE LE PRÉSENT MANUEL D'UTILISATION, LE MANUEL D'UTILISATION DU BLOC-PILES ET DU CHARGEUR, AINSI QUE TOUTES LES ÉTIQUETTES SE TROUVANT SUR LA SOUFFLANTE, LE BLOC-PILES, ET LE CHARGEUR. POUR RÉDUIRE LE RISQUE D'INCENDIE, D'ÉLECTROCUTION OU DE BLESSURES :

SÉCURITÉ DU LIEU DE TRAVAIL

- Veillez à ce que l'aire de travail soit propre et bien éclairée. Le désordre et le manque de lumière favorisent les accidents.
- Les soufflantes ont des moteurs et d'autres pièces qui peuvent produire des étincelles pendant l'utilisation normale. Ne pas utiliser à moins de 9 m (30 pi) des zones où des matières explosives peuvent exister (tel que les pompes à essence et les zones de stockage des liquides comme les diluants pour peinture, les nettoyeurs, les solvants, etc.)
- Ne pas utiliser en présence de liquides explosifs ou de poussière ou vapeurs explosives.
- Ne pas utiliser où l'oxygène ou les agents anesthésiques sont utilisés.
- Cet appareil n'est pas un jouet. Une surveillance étroite est impérative lorsqu'il est utilisé par des enfants ou à leur proximité.
- Redoubler de prudence lors de l'utilisation dans des escaliers.

SÉCURITÉ ÉLECTRIQUE

- Ne pas manipuler le chargeur, le bloc-pile ou la soufflante avec les mains mouillées.

SÉCURITÉ INDIVIDUELLE

- **RESTER VIGILANT.** Se montrer attentif et faire preuve de bon sens. Ne pas utiliser la soufflante en cas de fatigue, distraction ou sous l'influence de l'alcool, de drogues ou de médicaments causant la perte de contrôle.
- **L'utilisation d'une soufflante peut causer la projection d'objets en direction du visage et entraîner des lésions oculaires.** L'opérateur et toute personne qui se tient à proximité doivent porter des lunettes de sécurité ou des lunettes avec écrans latéraux lors de l'utilisation de la soufflante.
- **Porter un masque facial ou anti-poussières** en travaillant dans des zones poussiéreuses. Les particules de poussière peuvent endommager vos poumons.
- **Éviter les démarrages accidentels.** S'assurer que l'interrupteur est en position d'arrêt avant d'insérer le bloc-piles. L'insertion du bloc-piles quand l'interrupteur de la soufflante est en position de marche augmente le risque d'accidents.
- **Ne pas travailler hors de portée.** Toujours se tenir bien campé et en équilibre. Une bonne stabilité procure un meilleur contrôle de la soufflante en cas d'imprévu.

- Garder les cheveux, les vêtements amples, les doigts ainsi que toutes les parties du corps à l'écart des ouvertures et des pièces en mouvement.

UTILISATION ET ENTRETIEN DE L'OUTIL ÉLECTRIQUE

- Utiliser exclusivement selon les instructions de ce manuel. Utiliser exclusivement les accessoires recommandés par le fabricant.
- Ne pas utiliser l'appareil pour souffler des liquides inflammables ou combustibles tels que l'essence, et ne pas utiliser le produit dans des environnements où il est possible de retrouver ce type de liquide.
- Ne pas souffler d'éléments qui brûlent ou qui fument comme des cigarettes, des allumettes ou des cendres chaudes.
- Pour réduire les risques sur la santé attribuables aux vapeurs ou aux poussières, ne pas souffler des matières toxiques, carcinogènes ou toute autre matière dangereuse telle que l'asbeste, l'arsenic, le baryum, le béryllium, le plomb, les pesticides ou les autres matières insalubres.
- **AVERTISSEMENT :** La poussière dégagée par certains matériaux lors du ponçage, sciage, meulage, perçage et autres opérations de construction contient des produits chimiques reconnus pour causer le cancer, des malformations congénitales ou des lésions de l'appareil reproducteur. Voici certains exemples de ces produits chimiques :
 - le plomb contenu dans la peinture au plomb,
 - la silice cristalline contenue dans les briques, le ciment et d'autres produits de maçonnerie, et
 - l'arsenic et le chrome contenus dans le bois de construction traité par produits chimiques.Le risque présenté par l'exposition à ces produits varie en fonction de la fréquence de ce type de travail. Pour réduire l'exposition à ces produits chimiques : travailler dans un endroit bien aéré et utiliser des équipements de sécurité approuvés tels que les masques anti-poussière spécialement conçus pour filtrer les particules microscopiques.
- **Ne pas laisser la soufflante sans surveillance lorsque le bloc-pile est installé.** Retirer le bloc-pile lorsque celui-ci n'est pas utilisé et avant de procéder à son entretien.
- **Ne placer aucun objet dans les ouvertures.** Ne pas utiliser le produit si l'une ou l'autre des ouvertures est obstruée. Enlever toute la poussière, toutes les peluches et tous les cheveux, ou tout autre élément pouvant réduire la circulation de l'air.

- Effectuer l'entretien de la soufflante. Vérifier qu'aucune pièce mobile n'est mal alignée ou bloquée, qu'aucune pièce n'est brisée et s'assurer qu'aucun autre problème ne risque d'affecter le bon fonctionnement de la soufflante. En cas de dommages, faire réparer la soufflante avant l'utilisation. Beaucoup d'accidents sont causés par des outils mal entretenus.
- Maintenir en état les étiquettes et les plaques signalétiques. Des informations importantes y figurent. Si elles sont illisibles ou manquantes, contacter un centre de service et d'entretien MILWAUKEE pour un remplacement gratuit.
- N'utiliser la soufflante qu'avec des bloc-piles recommandés. L'utilisation de tout autre bloc-piles peut créer un risque de blessures et d'incendie.
- Arrêter toutes les commandes avant de retirer le bloc-pile.
- Pour réduire le risque de choc électrique, ne pas utiliser sur une surface mouillée. Ne pas exposer l'appareil à la pluie. Entreposer à l'intérieur. Ne pas charger à l'extérieur.

UTILISATION ET ENTRETIEN DE LA BATTERIE

- Pour recharger les batteries, utiliser seulement le chargeur spécifié par le fabricant. Un chargeur pouvant convenir à un type de bloc-piles peut entraîner un risque d'incendie lorsqu'il est utilisé avec un autre type de bloc-piles.
- Lorsque le bloc-piles n'est pas utilisé, le tenir éloigné des objets en métal tels que les trombones, les pièces de monnaie, les clés, les clous, les vis ou d'autres petits objets métalliques qui pourraient connecter les bornes. Le court-circuitage des bornes d'une batterie peut entraîner des brûlures ou un incendie.
- Ne pas utiliser un bloc-pile ou une soufflante endommagé(e). Si le bloc-pile ou la soufflante ne

fonctionne pas correctement, s'ils ont été tombés par terre, s'ils sont endommagés, s'ils ont été laissés à l'extérieur ou s'ils sont tombés dans l'eau, retournez-les au centre de réparation.

- **Ne pas brûler ou incinérer les bloc-piles.** Les bloc-piles peuvent exploser causant des dommages et des blessures. Des fumées et des matières toxiques se dégagent en brûlant des bloc-piles

ENTRETIEN

- Les réparations de l'outil électrique doivent être confiées à un technicien qualifié, utilisant exclusivement des pièces identiques à celles d'origine. Le maintien de la sûreté de l'outil électrique sera ainsi assuré.

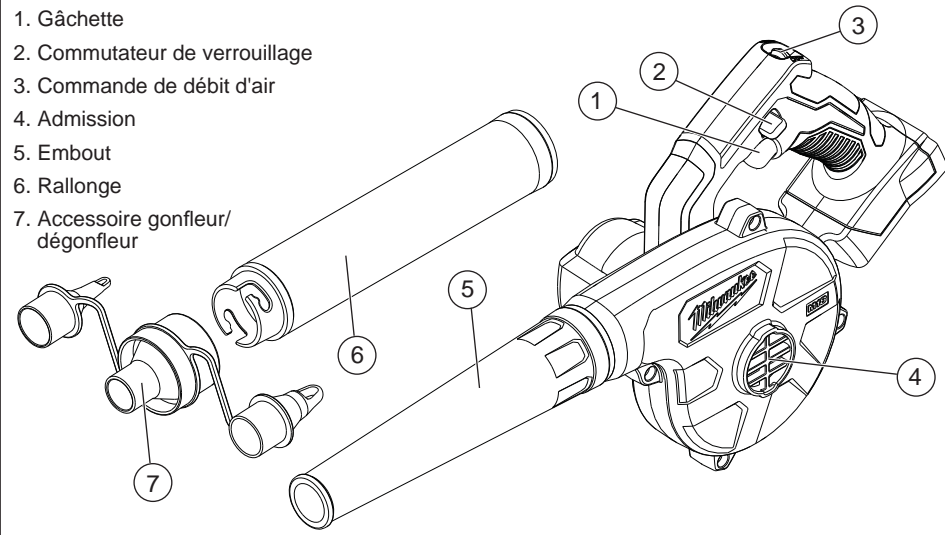
REGLAS ESPECIFICAS DE SEGURIDAD

- Avant d'utiliser la soufflante, lire le présent manuel d'utilisation, le manuel d'utilisation du bloc-piles et du chargeur, ainsi que toutes les étiquettes se trouvant sur la soufflante, le bloc-piles, et le chargeur.
- Porter des protecteurs d'oreille. L'exposition au bruit peut entraîner une perte auditive.

LIRE TOUTES LES INSTRUCTIONS ET LES CONSERVER À DES FINS DE RÉFÉRENCE ULTÉRIEURE

DESCRIPTION FONCTIONNELLE

1. Gâchette
2. Commutateur de verrouillage
3. Commande de débit d'air
4. Admission
5. Embout
6. Rallonge
7. Accessoire gonfleur/dégonfleur



PICTOGRAPHIE	
	Volts
	Tension c.d. seul
	Underwriters Laboratories, Inc., États-Unis et Canada
	Lire le manuel d'utilisation
	Toujours porter une protection oculaire

SPÉCIFICATIONS

Cat. No.	Volts DC	Vitesse du souffle	Vitesse du ventilateur
0884-20	18 V	160 MPH	18,000 RPM

MONTAGE DE L'OUTIL

AVERTISSEMENT Il faut toujours retirer la batterie et verrouiller la détente de l'outil avant de changer ou d'enlever les accessoires. L'emploi d'accessoires autres que ceux qui sont expressément recommandés pour cet outil peut comporter des risques.

Insertion/Retrait de la batterie
 Pour retirer la batterie, enfoncez les boutons de déverrouillage et la tirer hors de l'outil. Pour insérer la batterie, la glisser dans le corps de l'outil. S'assurer qu'elle est fixée solidement.

Installation et retrait des accessoires

Soufflante :
 Pour installer l'embout, la rallonge ou l'adaptateur du gonfleur, aligner la languette de l'accessoire avec les rainures de la soufflante. Pousser l'accessoire contre la soufflante. Tourner l'accessoire dans le sens horaire pour le verrouiller en place. Pour retirer l'accessoire, tourner dans le sens anti-horaire et le tirer de la soufflante.

Dégonfleur :
 Pour installer l'adaptateur sur l'admission, aligner les détentes de l'adaptateur avec les languettes en haut et en bas de l'admission. Faire glisser l'adaptateur sur l'admission. Pour retirer l'adaptateur de l'admission, le tirer de l'outil.

MANIEMENT

AVERTISSEMENT Pour réduire le risque d'incendie et de blessure, ne pas utiliser pour souffler des matières combustibles ou inflammables.

AVERTISSEMENT Pour réduire le risque de blessure, l'opérateur et toute personne à proximité doivent porter des lunettes de sécurité ou des lunettes avec écrans latéraux. L'utilisation d'une soufflante peut causer la projection d'objets en direction du visage et entraîner des lésions oculaires.

Sélection du débit d'air

La soufflante peut être réglée sur trois vitesses de débit d'air : basse, moyenne et haute. Pousser la commande de débit d'air vers le haut pour augmenter le débit d'air et vers le bas pour le diminuer.

Démarrage, arrêt et contrôle du débit d'air

1. Pour démarrer la soufflante, tirer la gâchette.
2. Pour changer le débit d'air, augmenter ou diminuer la pression sur la gâchette. Plus la gâchette est tirée, plus la vitesse est élevée jusqu'à atteindre la vitesse maximale réglée par la commande du débit d'air.
3. Pour arrêter la soufflante - relâcher la gâchette.

Verrouillage

Pour verrouiller la gâchette pour un usage continu :

1. Tirer la gâchette.
2. Appuyer sur le commutateur de verrouillage.
3. Relâcher la gâchette.
4. Pour arrêter la soufflante, tirer la gâchette, puis la relâcher.

ENTRETIEN

AVERTISSEMENT Pour minimiser les risques de blessures corporelles, débranchez le chargeur et retirez la batterie du chargeur ou de l'outil avant d'y effectuer des travaux d'entretien. Ne démontez jamais l'outil, la batterie ou le chargeur. Pour toute réparation, consultez un centre de service MILWAUKEE accrédité.

Entretien de l'outil

Gardez l'outil, la batterie et le chargeur en bon état en adoptant un programme d'entretien ponctuel. Après une période de six mois à un an, selon l'utilisation, renvoyez l'outil, la batterie et le chargeur à un centre de service MILWAUKEE accrédité pour les services suivants:

- Lubrification
 - Inspection et nettoyage de la mécanique (engrenages, pivots, coussinets, boîtier etc.)
 - Inspection électrique (batterie, chargeur, moteur)
 - Vérification du fonctionnement électromécanique
- Si l'outil ne démarre pas ou ne fonctionne pas à pleine puissance alors qu'il est branché sur une batterie complètement chargée, nettoyez les points de contact entre la batterie et l'outil. Si l'outil ne fonctionne toujours pas correctement, renvoyez l'outil, le chargeur et la batterie à un centre de service MILWAUKEE accrédité, afin qu'on en effectue la réparation (voir "Réparations").

AVERTISSEMENT Pour minimiser les risques de blessures ou de dommages à l'outil, n'immergez jamais l'outil, la batterie ou le chargeur et ne laissez pas de liquide s'y infiltrer.

Nettoyage

Débarrassez les événements du chargeur et de l'outil des débris et de la poussière. Gardez les poignées de l'outil propres, à sec et exemptes d'huile ou de graisse. Le nettoyage de l'outil, du chargeur et de la batterie doit se faire avec un linge humide et un savon doux. Certains nettoyants tels l'essence, la térébenthine, les diluants à laque ou à peinture, les solvants chlorés, l'ammoniaque et les détergents d'usage domestique qui en contiennent pourraient détériorer le plastique et l'isolation des pièces. Ne laissez jamais de solvants inflammables ou combustibles auprès de l'outil.

Réparations

Pour les réparations, retournez outil, batterie et chargeur en entier au centre-service le plus près, selon la liste apparaissant à la dernière page de ce manuel.

ACCESSOIRES

AVERTISSEMENT Retirez toujours la batterie avant de changer ou d'enlever les accessoires. L'utilisation d'autres accessoires que ceux qui sont spécifiquement recommandés pour cet outil peut comporter des risques.

Pour une liste complète des accessoires, prière de se reporter au catalogue MILWAUKEE Electric Tool ou visiter le site internet www.milwaukeeetool.com. Pour obtenir un catalogue, il suffit de contacter votre distributeur local ou l'un des centres-service.

GARANTIE LIMITÉE - AUX ÉTATS-UNIS ET AU CANADA

Chaque outil électrique MILWAUKEE (y compris les produits sans fil [outils, piles, chargeur de piles, lampe de travail]; consulter les énoncés de la GARANTIE LIMITÉE DES BLOCS-PILES SANS FIL) est garanti à l'acheteur d'origine être exempt de vice de matériau et de fabrication. Sous réserve de certaines exceptions, MILWAUKEE réparera ou remplacera toute pièce d'un outil électrique qui, après examen par MILWAUKEE, s'est avérée être affectée d'un vice de matériau ou de fabrication pendant une période de cinq (5) ans* après la date d'achat, sauf indication contraire. Retourner l'outil électrique, à un centre de réparations en usine MILWAUKEE ou à un poste d'entretien agréé MILWAUKEE, en port prépayé et assuré. Une copie de la preuve d'achat doit être présentée au moment de retourner le produit. Cette garantie ne couvre pas les dommages que MILWAUKEE détermine être causés par des réparations ou des tentatives de réparation par quiconque autre que le personnel agréé par MILWAUKEE, des utilisations incorrectes, des altérations, des utilisations abusives, une usure normale, une carence d'entretien ou des accidents.

*La période de garantie applicable pour les radios de chantier, le port d'alimentation M12™, Source d'énergie M18™, et les chariots de travail industriels Trade Titan™ est d'une durée d'un (1) an à partir de la date d'achat. La période de la garantie couvrant la lampe de travail à DEL et l'ampoule améliorée à DEL est une garantie À VIE limitée à l'acheteur d'origine seulement; si, lors d'une utilisation normale, l'ampoule à DEL présente une défectuosité, la lampe de travail et l'ampoule seront remplacées sans frais.

*Cette garantie ne s'applique pas aux cloueuses-agrafeuses pneumatiques, aux pulvérisateurs à peinture sans air, aux blocs piles pour outils sans fil, aux génératrices d'alimentation portatives à essence, aux outils à main, aux monte-charge — électrique, à levier et à chaîne (manuel), aux vestes chauffantes M12™, aux produits résinés, ni aux produits d'essai et de mesure. Il existe des garanties distinctes pour ces produits.

L'enregistrement de la garantie n'est pas nécessaire pour bénéficier de la garantie en vigueur sur un outil électrique MILWAUKEE. La date de fabrication du produit servira à établir la période de garantie si aucune preuve d'achat n'est fournie lorsqu'une demande de service sous garantie est présentée.

L'ACCEPTATION DES RECOURS EXCLUSIFS DE RÉPARATION ET DE REMPLACEMENT DÉCRITS AUX PRÉSENTS EST UNE CONDITION DU CONTRAT D'ACHAT DE TOUT PRODUIT MILWAUKEE. SI VOUS N'ACCEPTÉZ PAS CETTE CONDITION, VOUS NE DEVEZ PAS ACHETER LE PRODUIT. EN AUCUN CAS MILWAUKEE NE SAURAIT ÊTRE RESPONSABLE DE TOUT DOMMAGE ACCESSOIRE, SPÉCIAL OU INDIRECT, DE DOMMAGES-INTÉRÊTS PUNITIFS OU DE TOUTE DÉPENSE, D'HONORAIRES D'AVOCATS, DE FRAIS, DE PERTE OU DE DÉLAIS ACCESSOIRES À TOUT DOMMAGE, DÉFAILLANCE OU DÉFAUT DE TOUT PRODUIT, Y COMPRIS NOTAMMENT LES PERTES DE PROFIT. CERTAINS ÉTATS ET PROVINCES NE PERMETTANT PAS L'EXCLUSION OU LA LIMITATION DES DOMMAGES DIRECTS OU INDIRECTS, LES RESTRICTIONS CI-DESSUS PEUVENT NE PAS ÊTRE APPLICABLES. CETTE GARANTIE EST EXCLUSIVE ET REMPLACE TOUTE AUTRE GARANTIE EXPRESSE, QU'ELLE SOIT ORALE OU ÉCRITE. DANS LA MESURE PERMISE PAR LA LOI, MILWAUKEE RENONCE À TOUTE GARANTIE IMPLICITE, Y COMPRIS, SANS S'Y LIMITER, TOUTE GARANTIE IMPLICITE DE QUALITÉ MARCHANDE OU D'ADAPTATION À UNE UTILISATION OU À UNE FIN PARTICULIÈRE. DANS LA MESURE OU UNE TELLE STIPULATION D'EXONÉRATION N'EST PAS PERMISE PAR LA LOI. LA DURÉE DE CES GARANTIES IMPLICITES EST LIMITÉE À LA PÉRIODE APPLICABLE DE LA GARANTIE EXPRESSE, TEL QUE DÉCRIT PRÉCÉDEMMENT. CERTAINS ÉTATS ET PROVINCES NE PERMETTANT PAS DE LIMITATION DE DURÉE DES GARANTIES IMPLICITES, LES RESTRICTIONS CI-DESSUS PEUVENT NE PAS ÊTRE APPLICABLES. LA PRÉSENTE CONFÈRE À L'UTILISATEUR DES DROITS LÉGAUX PARTICULIERS; IL BÉNÉFICIE ÉGALEMENT D'AUTRES DROITS QUI VARIENT D'UN ÉTAT À L'AUTRE.

Cette garantie s'applique aux produits vendus aux États-Unis et au Canada uniquement.

Veuillez consulter la rubrique Centre SAV MILWAUKEE, dans la section Pièces & Service du site Web de MILWAUKEE, à l'adresse www.milwaukeeool.com, ou composer le 1-800-SAWDUST (1-800-729-3878) afin de trouver le centre de réparations en usine MILWAUKEE le plus près.

GARANTIE LIMITÉE – MEXIQUE, AMÉRIQUE CENTRALE ET CARAÏBES

TECHTRONIC INDUSTRIES® garantit le produit pendant cinq ans à partir de la date d'achat d'origine. Le présent bon de garantie couvre tous les vices de matériau et de fabrication que peut afficher cet outil électrique. Pour assurer la validité de la présente garantie, veuillez présenter le bon de commande, estampillé du sceau du distributeur ou du magasin où le produit a été acheté, au centre de réparations agréé. Si le bon de commande n'a pas été estampillé, veuillez fournir la preuve d'achat d'origine au centre de réparations agréé. Pour un entretien, des pièces, des accessoires ou d'autres composants, composer sans frais le 1-800-832-1949 afin d'obtenir les coordonnées du centre de réparations agréé le plus près.

Procédure pour assurer la validité de la garantie

Présenter le produit au centre de réparations agréé, accompagné du bon de commande estampillé du sceau du distributeur ou du magasin où le produit a été acheté. Toute pièce défectueuse ou tout composant défectueux sera remplacé sans frais. Milwaukee assume tous les frais de transport liés à ce processus de garantie.

Exceptions

La garantie ne s'applique pas dans les situations suivantes :

- Si le produit a été utilisé pour une fin autre que celle indiquée dans le guide de l'utilisateur final ou le manuel d'instructions.
- Si les conditions d'utilisations ne sont pas habituelles.
- Si le produit a été modifié ou réparé par une personne non autorisée par TECHTRONIC INDUSTRIES.

Note : Si le cordon électrique est endommagé, il doit être remplacé par un centre de réparations agréé pour éviter les risques d'électrocution.

CENTRE DE RÉPARATIONS ET DE SERVICE
Av Presidente Mazarik 29 Piso 7, 11570 Chapultepec Morales
Miguel Hidalgo, Distrito Federal, Mexico
Ph. 52 55 4160-3547

IMPORTÉ ET COMMERCIALISÉ PAR :
TECHTRONIC INDUSTRIES MEXICO, S.A. DE C.V.
Av Presidente Mazarik 29 Piso 7, 11570 Chapultepec Morales
Miguel Hidalgo, Distrito Federal, Mexico

Modèle : _____

Date d'achat : _____

Sceau du distributeur ou du magasin : _____

REGLAS DE SEGURIDAD GENERALES

⚠️ ADVERTENCIA AL UTILIZAR UN SOPLADOR ELÉCTRICO, SIEMPRE SE DEBEN SEGUIR LAS PRECAUCIONES BÁSICAS, INCLUYENDO LAS SIGUIENTES: LEA TODAS LAS INSTRUCCIONES ANTES DE USAR EL SOPLADOR. PARA USO DOMÉSTICO O COMERCIAL. ANTES DE UTILIZAR EL SOPLADOR, LEA ESTE MANUAL DEL OPERADOR, EL MANUAL DE SU BATERÍA Y CARGADOR Y TODAS LAS ETIQUETAS DEL SOPLADOR, LA BATERÍA Y EL CARGADOR. PARA REDUCIR EL RIESGO DE INCENDIO, DESCARGA ELÉCTRICA O LESIÓN:

SEGURIDAD EN EL ÁREA DE TRABAJO

- **Mantenga el área de trabajo limpia y bien iluminada.** Las áreas desordenadas u oscuras son propicias para los accidentes.
- **Los sopladores tienen motores y otras partes que pueden producir chispas durante el uso normal.** No se utilice a una distancia menor de 9 metros (30 pies) de las áreas donde pueda haber materiales explosivos (como bombas de gasolina y lugares donde se guardan líquidos como disolventes de pintura, limpiadores, solventes, etc.).
- **No se utilice en presencia de polvo, líquidos o vapores explosivos.**
- **No se utilice donde se use oxígeno o anestésicos.**
- **No permita que se use como un juguete.** Se necesita poner mucha atención cuando se usa cerca de niños.
- **Sea particularmente cuidadoso al usarlo en escaleras.**

SEGURIDAD ELÉCTRICA

- **No maneje el cargador, la batería ni el soplador con las manos húmedas.**

SEGURIDAD PERSONAL

- **MANTÉNGASE ALERTA.** Preste atención a lo que está haciendo y use el sentido común. No use el soplador mientras está cansado, distraído o bajo la influencia de drogas, alcohol o medicamentos que ocasionen disminución del control.
- **La operación de un soplador puede ocasionar que objetos extraños sean lanzados hacia los ojos,** lo que puede causar daño ocular. El usuario y los espectadores deben usar lentes o gafas de seguridad con protectores laterales cuando se esté usando un soplador.
- **Use una mascarilla facial o contra el polvo** cuando trabaje en situaciones donde haya polvo. Las partículas de polvo pueden dañar sus pulmones.
- **Evite el arranque accidental. Asegúrese de que el interruptor esté en posición de apagado antes de insertar la batería.** Insertar la batería en un soplador con el interruptor en posición de encendido es invitar a que ocurra un accidente.
- **No estire el cuerpo demasiado. Mantenga un buen contacto entre los pies y el suelo y mantenga el equilibrio en todo momento.** Esto permite un mejor control del soplador en situaciones inesperadas.
- **Mantenga el cabello, ropa holgada, dedos y todas las partes del cuerpo lejos de las aberturas y partes móviles.**

USO Y CUIDADO

- **Utilice únicamente como se describe en este manual.** Utilice únicamente los accesorios recomendados por el fabricante.
- **No se utilice para aplicar aire soplado a líquidos inflamables o combustibles** como gasolina, ni se utilice en áreas donde puedan estar presentes.
- **No aplique aire soplado sobre ningún objeto que se esté quemando o despidiendo humo,** como cigarrillos, cerillos o cenizas calientes.
- **Para reducir el riesgo de peligros para la salud por los vapores o el polvo, no aplique aire soplado a materiales tóxicos, carcinogénicos o peligrosos** como asbesto, arsénico, bario, berilio, plomo, pesticidas u otros materiales que pongan en peligro la salud.
- **ADVERTENCIA:** Algunos polvos generados por el lijado eléctrico, aserrado, pulido, taladrado y otras actividades de construcción contienen químicos identificados como causantes de cáncer, defectos congénitos u otros daños reproductivos. Algunos ejemplos de estos químicos son:
 - plomo de pintura basada en plomo
 - dióxido de silicio de los ladrillos y el cemento y otros productos de albañilería y
 - arsénico y cromo de madera con tratamiento químico.Su riesgo por estas exposiciones varía, dependiendo de la frecuencia con que realice este tipo de trabajo. Para reducir su exposición a estos químicos: trabaje en un área bien ventilada y trabaje con equipo de seguridad aprobado, como mascarillas protectoras contra polvo especialmente diseñadas para filtrar partículas microscópicas.
- **No deje el soplador sin supervisión cuando tenga instalada la batería.** Retire la batería cuando no lo use y antes de realizarle un servicio.
- **No coloque ningún objeto en las aberturas.** No use con ninguna de las aberturas bloqueadas; manténgalas libres de polvo, pelusa, cabello o cualquier otro objeto que pudiera reducir el flujo de aire.
- **Dé mantenimiento al soplador. Verifique que no haya desalineación, amarre de partes móviles, partes rotas o alguna otra condición que pueda afectar el funcionamiento del soplador. Si se daña, asegúrese de que el soplador sea reparado antes de utilizarse.** Muchos accidentes son ocasionados por herramientas con mantenimiento deficiente.
- **Conserve las etiquetas y las placas nominales.** Contienen información importante. Si son ilegibles

o no están presentes, comuníquese con un centro de servicio MILWAUKEE para obtener un reemplazo gratuito.

• **Utilice el soplador únicamente con baterías específicamente diseñadas.** El uso de cualquier otra batería puede producir un riesgo de lesiones e incendio.

• **Apague todos los controles antes de retirar la batería.**

• **Para reducir el riesgo de descarga eléctrica, no lo utilice en superficies húmedas. No se exponga a la lluvia. Almacénese en interiores. No se use en exteriores.**

USO Y CUIDADO DE LAS HERRAMIENTAS CON BATERÍA

• **Recargue únicamente con el cargador especificado por el fabricante.** Un cargador que es adecuado para un tipo de batería puede crear un riesgo de incendio si se utiliza con otra batería.

• **Cuando la batería no está en uso, manténgala alejada de otros objetos metálicos como sujetapapeles, monedas, llaves, clavos, tornillos u otros objetos metálicos pequeños que puedan formar una conexión de una terminal a otra.** Crear un corto entre las terminales puede ocasionar quemaduras o un incendio.

• **No utilice una batería o soplador con daños.** Si la batería o el soplador no está funcionando como debería, se ha dejado caer, está dañado, se dejó a la intemperie o cayó en agua, regréselo a un centro de servicio.

• **No quemar ni incinerar las baterías.** Las baterías pueden explotar, causando lesiones personales o daños. Al quemar las baterías se generan vapores y materiales tóxicos.

MANTENIMIENTO

• **Lleve su herramienta eléctrica a servicio con un técnico calificado que use únicamente piezas de reemplazo idénticas.** Esto asegurará que la seguridad de la herramienta eléctrica se mantenga.

REGLAS ESPECIFICAS DE SEGURIDAD

• **Antes de utilizar el soplador, lea este manual del operador, el manual de su batería y cargador y todas las etiquetas del soplador, la batería y el cargador.**

• **Utilice protectores auditivos.** La exposición al ruido puede causar pérdida auditiva.

LEA Y CONSERVE TODAS LAS INSTRUCCIONES PARA CONSULTARLAS EN EL FUTURO

SIMBOLOGÍA

V	Volts
— — —	Corriente directa
UL US	Underwriters Laboratories, Inc., Estados Unidos y Canadá
	Lea el manual del operador
	Siempre use protección para los ojos.

ESPECIFICACIONES

Cat. No.	Volts DC	Velocidad del aire	Velocidad del ventilador
0884-20	18 V	160 MPH	18,000 RPM

ENSAMBLAJE

ADVERTENCIA Para reducir el riesgo de lesiones, extraiga siempre la batería antes de acoplar o desacoplar accesorios. Utilice únicamente accesorios específicamente recomendados para esta herramienta. El uso de accesorios no recomendados podría resultar peligroso.

Como se inserta/quita la batería en la herramienta

Para retirar la batería, presione los botones de liberación y jale de la batería para sacarla de la herramienta.

Para introducir la batería, deslícela en el cuerpo de la herramienta. Asegúrese de que quede bien firme en su posición.

Instalación/remoción de los accesorios

Soplador:

Para instalar la boquilla, la extensión o el adaptador inflador, alinee las orejetas del accesorio con las ranuras del soplador. Empuje el accesorio hacia el soplador. Gire el accesorio hacia la derecha para bloquearlo en su lugar.

Para quitar el accesorio, gire hacia la izquierda y retire del soplador.

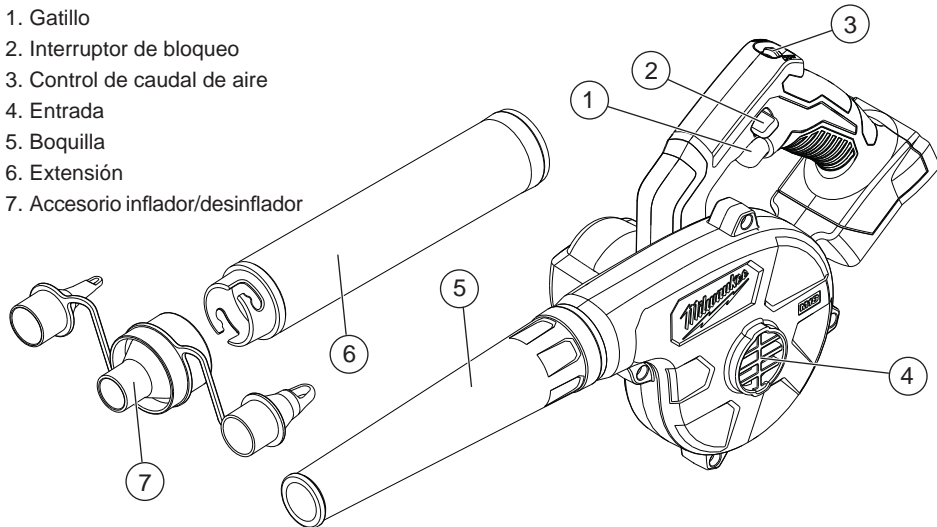
Desinflador:

Para instalar el adaptador en la entrada, alinee los topes del adaptador con las pestañas de la parte superior e inferior de la entrada. Deslice el adaptador sobre la entrada.

Para retirar el adaptador de la entrada, jale el adaptador, retirándolo de la herramienta.

DESCRIPCION FUNCIONAL

1. Gatillo
2. Interruptor de bloqueo
3. Control de caudal de aire
4. Entrada
5. Boquilla
6. Extensión
7. Accesorio inflador/desinflador



OPERACION

ADVERTENCIA Para reducir el riesgo de incendio y lesión, no se utilice en materiales inflamables ni combustibles.

ADVERTENCIA Para reducir el riesgo de lesiones, el usuario y los espectadores deben usar lentes o gafas de seguridad con protectores laterales. El uso de un soplador puede ocasionar que objetos extraños sean lanzados hacia los ojos, lo que puede causar daño ocular.

Selección del caudal de aire

El soplador puede configurarse en tres velocidades de caudal de aire: baja, media y alta. Presione el control del caudal de aire hacia arriba para aumentar el caudal de aire; presiónelo hacia abajo para disminuir el caudal de aire.

Arranque, paro y control del caudal de aire

1. Para arrancar el soplador, oprima el gatillo.
2. Para variar el caudal de aire, aumente o disminuya la presión sobre el gatillo. Mientras más se oprima el gatillo, mayor será la velocidad del caudal de aire, hasta llegar al máximo establecido por el control del caudal de aire.
3. Para detener el soplador, suelte el gatillo.

Bloqueo

Para bloquear el gatillo para uso continuo:

1. Oprima el gatillo
2. Presione hacia abajo el interruptor de bloqueo.
3. Suelte el gatillo.
4. Para detener el soplador, oprima y suelte el gatillo.

ACCESORIOS

ADVERTENCIA Para reducir el riesgo de lesiones, siempre extraiga la batería antes de cambiar o retirar accesorios. Utilice únicamente accesorios específicamente recomendados para esta herramienta. El uso de accesorios no recomendados podría resultar peligroso.

Para una lista completa de accesorios, refiérase a su catálogo *MILWAUKEE* Electric Tool o visite nuestro sitio en Internet: www.milwaukeetool.com. Para obtener un catálogo, contacte su distribuidor local o uno de los centros de servicio.

MANTENIMIENTO

ADVERTENCIA Para reducir el riesgo de una lesión, desconecte siempre la herramienta antes de darle cualquier mantenimiento. Nunca desarme la herramienta ni trate de hacer modificaciones en el sistema eléctrico de la misma. Acuda siempre a un Centro de Servicio *MILWAUKEE* para TODAS las reparaciones.

Mantenimiento de la herramienta

Adopte un programa regular de mantenimiento y mantenga sus baterías y cargador en buenas condiciones. Después de 6 meses a un año, dependiendo del uso dado, envíe su herramienta, batería y cargador, al Centro de Servicio *MILWAUKEE* más cercano para que le hagan:

- Lubricación
- Inspección mecánica y limpieza (engranes, flechas, baleros, carcaza, etc.)
- Inspección eléctrica (batería, cargador, motor)
- Probarla para asegurar una adecuada operación mecánica y eléctrica

Si la herramienta no arranca u opera a toda su potencia con una batería completamente cargada, limpie, con una goma o borrador, los contactos de la batería y de la herramienta. Si aun así la herramienta no trabaja correctamente, regrésela, con el cargador y la batería, a un centro de servicio *MILWAUKEE* para que sea reparada.

ADVERTENCIA Para reducir el riesgo de una explosión, no queme nunca una batería, aun si está dañada, "muerta" o completamente descargada.

Limpieza

Limpie el polvo y suciedad de las ventilas del cargador y la herramienta. Mantenga los mangos y empuñaduras limpios, secos y libres de aceite o grasa. Use solo jabón neutro y un trapo húmedo para limpiar la herramienta, batería y el cargador, ya que algunos substancias y solventes limpiadores son dañinos a los plásticos y partes aislantes. Algunos de estos incluyen: gasolina, turpentina, thinner, lacas, thinner para pinturas, solventes para limpieza con cloro, amoníaco y detergentes caseros que tengan amonía. Nunca use solventes inflamables o combustibles cerca de una herramienta.

Reparaciones

Si su herramienta, batería o cargador están dañados, envíela al centro de servicio más cercano de los listados en la cubierta posterior de este manual del operario.

GARANTÍA LIMITADA - E.U.A. Y CANADÁ

Se garantiza al comprador original que ninguna de las herramientas eléctricas *MILWAUKEE* (incluido el producto inalámbrico, la herramienta y las baterías; consulte las declaraciones distintas y por separado en GARANTÍA LIMITADA DEL PAQUETE DE BATERÍAS INALÁMBRICAS y de las luces de trabajo y del cargador de baterías*) presentan defectos en material ni en mano de obra. En un plazo de cinco (5) años* a partir de la fecha de compra y sujeto a ciertas excepciones, *MILWAUKEE* reparará o reemplazará cualquier parte de una herramienta eléctrica que, luego de ser examinada, *MILWAUKEE* compruebe que presenta defectos en material o mano de obra, a menos que se indique lo contrario. Se requiere la devolución de la herramienta eléctrica a un centro de mantenimiento de la fábrica *MILWAUKEE* o a un centro de reparaciones autorizado por *MILWAUKEE*, con gastos de envío prepagados y asegurados. La devolución del producto debe estar acompañada por un comprobante de compra. Esta garantía no se aplica a los daños que *MILWAUKEE* establece que fueron ocasionados por reparaciones o intentos de reparación por parte de personal no autorizado por *MILWAUKEE*, uso indebido, alteraciones, abuso, desgaste y deterioro normal, falta de mantenimiento o accidentes.

*El período de garantía de las radios para obras, del puerto de alimentación M12™, Fuente de poder M18™, y de las carretillas de trabajo industrial Trade Titan™ es de un (1) año a partir de la fecha de compra. El período de garantía de la lámpara de trabajo con diodo luminiscente y del foco mejorado con diodo luminiscente es una garantía VITALICIA limitada para el comprador original únicamente. Si durante el uso normal el foco de diodo luminiscente no funciona, la lámpara de trabajo o el foco mejorado se reemplazará sin carga.

*Esta garantía no cubre las clavadoras aéreas, las engrapadoras, el rociador de pintura inalámbrico, el paquete de baterías inalámbrico, los generadores eléctricos portátiles que funcionan con gasolina, herramientas manuales, elevadores (eléctricos, con palanca y con cadenas manuales), camisas de calefacción M12™, productos reacondicionados y productos de prueba y medición. Se encuentran disponibles garantías distintas para estos productos.

No se necesita registro de garantía para obtener la garantía correspondiente de un producto eléctrico *MILWAUKEE*. La fecha de fabricación del producto se utilizará para determinar el período de garantía si no se presenta un comprobante de compra en el momento en que se solicita el servicio de garantía.

LA ACEPTACIÓN DE LOS DERECHOS A REPARACIÓN Y REEMPLAZO EXCLUSIVAMENTE DESCRITOS EN EL PRESENTE DOCUMENTO CONSTITUYE UNA CONDICIÓN DEL CONTRATO POR LA COMPRA DE CADA PRODUCTO *MILWAUKEE*. SI NO ACEPTA ESTA CONDICIÓN, NO DEBE COMPRAR EL PRODUCTO. *MILWAUKEE* NO SERÁ EN NINGÚN CASO RESPONSABLE DE DAÑOS INCIDENTALES, ESPECIALES, CONSECUENTES O PUNITIVOS, NI DE COSTOS, HONORARIOS DE ABOGADOS, GASTOS, PERDIDAS O DEMORAS SUPUESTAMENTE CAUSADOS COMO CONSECUENCIA DE CUALQUIER DAÑO, FALLA O DEFECTO EN CUALQUIER PRODUCTO, INCLUIDOS, A MODO DE EJEMPLO, RECLAMOS POR PÉRDIDA DE GANANCIAS. ALGUNOS ESTADOS NO PERMITEN LA EXCLUSIÓN O LA LIMITACIÓN DE DAÑOS INCIDENTALES O CONSECUENTES, POR LO TANTO, LAS LIMITACIONES Y EXCLUSIONES ANTERIORES PUEDEN NO APLICARSE PARA USTED. ESTA GARANTÍA ES EXCLUSIVA Y SUSTITUYE A TODAS LAS OTRAS GARANTÍAS EXPRESAS, ESCRITAS U ORALES. SEGÚN LO PERMITA LA LEY, *MILWAUKEE* SE EXIME DE TODA GARANTÍA IMPLÍCITA, INCLUIDOS, A MODO DE EJEMPLO, TODA GARANTÍA IMPLÍCITA DE COMERCIABILIDAD O IDONEIDAD PARA UN USO O PROPOSITO EN PARTICULAR; EN LA MEDIDA EN QUE DICHA RENUNCIA NO ESTÉ PERMITIDA POR LA LEY, DICHAS GARANTÍAS IMPLÍCITAS ESTÁN LIMITADAS A LA DURACIÓN DE LA GARANTÍA EXPRESA APLICABLE SEGÚN SE DESCRIBE ANTERIORMENTE. ALGUNOS ESTADOS NO PERMITEN LIMITACIONES EN LA DURACIÓN DE UNA GARANTÍA IMPLÍCITA. POR LO TANTO, LA LIMITACIÓN ANTERIOR PUEDE NO APLICARSE PARA USTED. ESTA GARANTÍA LE OTORGA DERECHOS LEGALES ESPECÍFICOS Y TAMBIÉN PUEDE TENER OTROS DERECHOS QUE VARIAN DE ESTADO EN ESTADO.

Esta garantía se aplica a los productos vendidos en los EE. UU. y Canadá.

Consulte 'Service Center Search' (Búsqueda de centro de servicio) en la sección Parts & Services (Piezas y servicios) del sitio web *MILWAUKEE*, www.milwaukeetool.com o llame al **1.800.SAWDUST (1.800.729.3878)** para encontrar su Centro de Servicio de la fábrica de *MILWAUKEE* más cercano.

PÓLIZA DE GARANTÍA - VALIDA SOLO PARA MÉXICO, AMÉRICA CENTRAL Y EL CARIBE

TECHTRONIC INDUSTRIES., garantiza por 5 años este producto a partir de la fecha original de compra.

Esta garantía cubre cualquier defecto que presenten las piezas, componentes y la mano de obra contenidas en este producto. Para América Central y el Caribe se debe confirmar en el Centro de Servicio Autorizado el plazo de la garantía. Para hacer efectiva la Garantía deberá presentar al Centro de Servicio Autorizado la Póliza de Garantía sellada por el establecimiento en donde adquirió el producto. Si no la tienen, podrá presentar el comprobante de compra original. Usted puede llamar sin costo al teléfono 01 800 832 1949 o por correo electrónico a la dirección "servicio@ttigroupna.com", para ubicar el Centro de Servicio Autorizado más cercano a su domicilio, en el cual además podrá adquirir partes, componentes, consumibles y accesorios, que usted necesite.

Procedimiento para hacer válida la garantía

Acuda al Centro de Servicio con el producto y la póliza de garantía sellada por el establecimiento donde realizó la compra. Ahí se reemplazará cualquier pieza o componente defectuoso sin cargo alguno para el usuario final. La empresa se hace responsable de los gastos de transportación razonablemente erogados que se deriven del cumplimiento de la presente garantía.

Excepciones

La garantía perderá validez en los siguientes casos:

- a) Cuando el producto se hubiese utilizado en condiciones distintas a las normales.
- b) Cuando el producto no hubiese sido operado de acuerdo con el instructivo de uso que lo acompaña.
- c) Cuando el producto hubiese sido alterado o reparado por personas no autorizadas por TECHTRONIC INDUSTRIES.

Nota: Si el cordón de alimentación es dañado, este debe ser reemplazado por el fabricante o por un Centro de Servicio Autorizado para evitar riesgo.

Modelo: _____

Fecha de Compra: _____

Sello del Distribuidor: _____

CENTRO DE SERVICIO Y ATENCIÓN A CLIENTES
Av Presidente Mazarik 29 Piso 7, 11570 Chapultepec Morales
Miguel Hidalgo, Distrito Federal, Mexico
Tel. 52 55 4160-3547

IMPORTADO Y COMERCIALIZADO POR:
TECHTRONIC INDUSTRIES MEXICO, .S.A. DE C.V.
Av Presidente Mazarik 29 Piso 7, 11570 Chapultepec Morales
Miguel Hidalgo, Distrito Federal, Mexico

UNITED STATES MILWAUKEE Service

MILWAUKEE prides itself in producing a premium quality product that is NOTHING BUT HEAVY DUTY®. Your satisfaction with our products is very important to us! If you encounter any problems with the operation of this tool, or you would like to locate the factory Service/Sales Support Branch or authorized service station nearest you, please call...

Additionally, we have a nationwide network of authorized Distributors ready to assist you with your tool and accessory needs. Check your "Yellow Pages" phone directory under "Tools-Electric" for the names & addresses of those nearest you or see the 'Where To Buy' section of our website.

1-800-SAWDUST

(1.800.729.3878)

Monday-Friday
7:00 AM - 6:30 PM
Central Time

or visit our website at

www.milwaukeetool.com

For service information, use the 'Service Center Search' icon found in the 'Parts & Service' section.

Contact our Corporate After Sales Service Technical Support about ...

- Technical Questions
- Service/Repair Questions
- Warranty

call: 1-800-SAWDUST
fax: 1.800.638.9582

email: metproductsupport@milwaukeetool.com

Register your tool online at www.milwaukeetool.com and...

- receive important notifications regarding your purchase
- ensure that your tool is protected under the warranty
- become a HEAVY DUTY club member

CANADA - Service MILWAUKEE

MILWAUKEE prides itself in producing a premium quality product that is NOTHING BUT HEAVY DUTY®. Your satisfaction with our products is very important to us!

If you encounter any problems with the operation of this tool, or you would like to locate the factory Service/Sales Support Branch or authorized service station nearest you, please call...

1.800.268.4015

Monday – Friday 7:00 – 4:30 CST
fax: 866.285.9049

Milwaukee Electric Tool (Canada) Ltd

140 Fernstaff Court, Unit 4 18129 111 Avenue NW
Vaughan, ON L4K 3L8 Edmonton, AB T5S 2P2

Additionally, we have a nationwide network of authorized Distributors ready to assist you with your tool and accessory needs. Call 1.800.268.4015 to find the names and addresses of the closest retailers or consult "Where to buy" on our Web site www.milwaukeetool.com

MILWAUKEE est fier de proposer un produit de première qualité NOTHING BUT HEAVY DUTY®. Votre satisfaction est ce qui compte le plus!

En cas de problèmes d'utilisation de l'outil ou pour localiser le centre de service/ventes ou le centre d'entretien le plus proche, appelez le...

1.800.268.4015

Lundi – Vendredi 7:00 – 4:30 CST
fax: 866.285.9049

Milwaukee Electric Tool (Canada) Ltd

140 Fernstaff Court, Unit 4 18129 111 Avenue NW
Vaughan, ON L4K 3L8 Edmonton, AB T5S 2P2

Notre réseau national de distributeurs agréés se tient à votre disposition pour fournir l'aide technique, l'outillage et les accessoires nécessaires. Composez le 1.800.268.4015 pour obtenir les noms et adresses des revendeurs les plus proches ou bien consultez la section «Où acheter» sur notre site web à l'adresse www.milwaukeetool.com

MEXICO - Soporte de Servicio MILWAUKEE

CENTRO DE ATENCIÓN A CLIENTES

Av Presidente Mazarik 29 Piso 7
11570 Chapultepec Morales
Miguel Hidalgo, Distrito Federal, Mexico
Telefono 52 55 4160-3547
e-mail: servicio@ttigroupna.com

Adicionalmente, tenemos una red nacional de distribuidores autorizados listos para ayudarle con su herramienta y sus accesorios. Por favor, llame al 01 800 832 1949 para obtener los nombres y direcciones de los más cercanos a usted, o consulte la sección 'Where to buy' (Dónde comprar) de nuestro sitio web en

www.ttigroupmexico.com

Registre su herramienta en línea, en www.ttigroupmexico.com y...

- reciba importantes avisos sobre su compra
- asegúrese de que su herramienta esté protegida por la garantía
- conviértase en integrante de Heavy Duty

MILWAUKEE ELECTRIC TOOL CORPORATION
13135 West Lisbon Road • Brookfield, Wisconsin, U.S.A. 53005